

Where Soft Elegance Blooms.





HIBSAN | **PROFF**



SINCE 1981 — DECADES
OF EXCELLENCE, FROM
TURKEY'S FIRST COOKER
HOOD TO KITCHENS ACROSS
95 COUNTRIES...

With a dedicated team and a 20,000 m² cooker hood facility producing over 550,000 units annually, we ensure precision and quality from start to finish. Our portfolio includes dozens of patents and OEM & ODM solutions for more than 300 brands worldwide. Our products comply with key international certifications such as CE, CB, LVD, EMC, and ISO.

contents



07 Special Series



11 Island Hoods



15 Cylinder & Box Hoods



19 Inclined Hoods



27 T-Type Hoods



33 Country Hoods

We present a wide range of elegantly designed cooker hoods, skillfully crafted for superior efficiency and lasting durability. Each feature is carefully engineered to enhance performance and deliver exceptional user comfort, ensuring a smooth and enjoyable kitchen experience.



37 Pyramidal Hoods



41 Corner Hoods



45 Built-In Hoods



53 Classic Hoods



59 Telescopic Hoods



65 Central Exhaust Hoods



Special Series



Smart TV Hood

962 - 986
Free Flow Extraction

5
Speed

60
cm

265 W
Motor Power

> MAIN FEATURES

- Installation: Wall Type
- Control: Touch with Display + Remote
- Lighting: 2x2W LED Spot
- Filter: Aluminium (Dishwasher Safe)
- Carbon Filter: Nano
- Piston Hinge: Yes
- TV Angle: Adjustable
- TV Spec.: 24inc TV With Receiver (USB,HDMI)
- Chimney: Adjustable & Double (35+35 cm)
- Filter Saturation Indicator: Yes
- Timer: 15 Mins
- Noise Level: min 33dB - max 66dB

- Motor: Radialitic Silence Motor
- Energy Class: A

> OPTIONAL FEATURES

- 90 CM



Sollevare

LH 111GX

791
Free Flow Extraction

4
Speed

87,5
cm

275 W
Motor Power

> MAIN FEATURES

- Dimension: 87,5 CM
- Cut Out Dimensions: 100x 842 MM
- Installation: Countertop
- Control: Touch
- Speed: 4
- Lighting: 1x5W LED Strip
- Filter: Anodized Aluminium (4+1 Layers)
- Filtering Kit: Included
- Anti crushing Safety System: Yes
- Timer: 15 Mins
- Noise Level: min 39dB - max 58dB (68dB at boost level)
- Airflow Capacity Min.-Max: 280-612 m³/h

- Airflow Capacity Boost Level: 791 m³/h
- Motor: On Board
- Energy Class: A

> COLOR OPTIONS



Inox

> GLASS COLOR OPTIONS



Black



Lustre

LDI92

550
Free Flow Extraction

3
Speed

47
cm

140 W
Motor Power

> MAIN FEATURES

- Dimension : 47 CM
- Installation : Island
- Control : Touch with Display
- Speed : 3
- Lighting : 2x2W LED Spot
- Filter : Aluminium (Dishwasher Safe)
- Air Outlet : 150 mm
- Chimney : Adjustable & Double
- Timer : 15 Mins
- Noise Level : min 55dB - max 65dB
- Airflow Capacity (DIN EN 61591): min 245 m³/h - max 455 m³/h

- Airflow Capacity (Free Flow): 550 m³/h
- Motor : 140 Watt Blower Type
- Energy Class: D

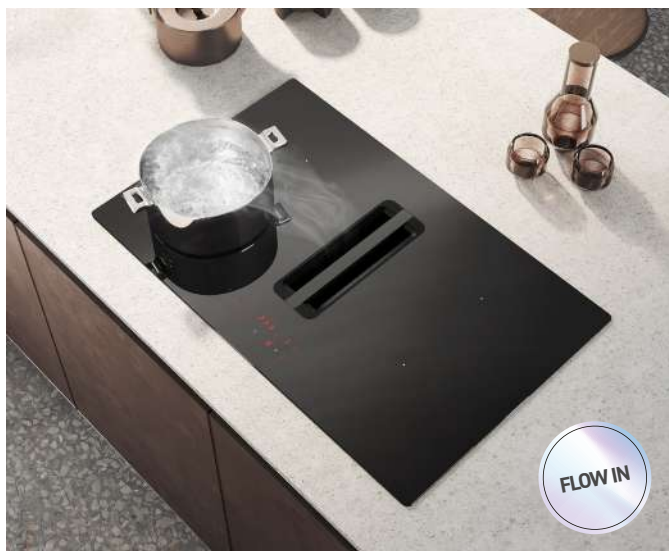
> OPTIONAL FEATURES

- Carbon Filter Set
- Remote Control
- 700 m³/h - 210 Watt Blower Motor (A class energy)
- 750 m³/h - 210 Watt Blower Motor (B class energy)
- 850 m³/h - 200 Watt Blower Motor (C class energy) / 5 SPEEDS

> COLOR OPTIONS



Black Inox White



Balena

LHIC220GL

620

Free Flow Extraction

8+2

Speed

83

cm

220 W

Motor Power

> MAIN FEATURES

- Size: 83 cm
- Suction / Filtering
- Touch control white / red + Slider
- 8+2 l (hood), 9+l (hob)

HOOD

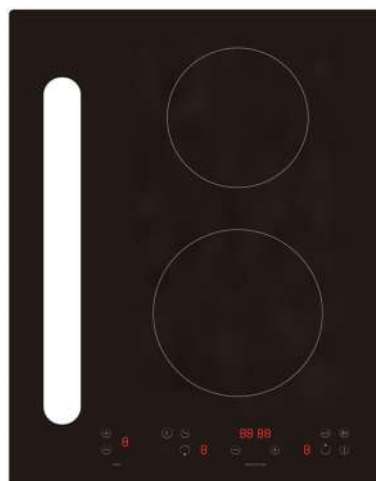
- Airflow: 620 (m3/h)
- Noise level: 44 Min / 63 max (tw[dba])
- Motor power: 220 Watt
- Duct size: 220x90 / 220x55 (mm)
- Energy class: A++
- INDUCTION HOB
- Total absorption: 7,4 kW
- Frequency: 50-60 Hz
- Voltage: 220 - 240 V
- Cooking zones: 4 (2,1 - 2,7 kW)
- Bridge zones: 2 (4,2 - 7,4 kW)

ACCESSORIES

- Ducting kit K04008KIT
- Ducting grid kit K04008KIT.1
- Long life filtering kit K04008KITF.2
- Ceramic filtering kit K04008KITF.4

FINISH

- Black glass + Matt black grid



Ventosa

NEW

LHIC680X

40

cm

> MAIN FEATURES

- 2 Cooking Zones
- 2 in 1| Flow-in Cooker Hood & Induction Hob
- Max Power : 3565 W
- Black Glass

- Touch Control (Red Display)
- Minute Minder
- Pause/Start
- Child lock
- Built-In Plasma system

INDUCTION HOB

- Residual heat indicator
- 220-240V / 50-60 Hz
- Ø16 CM Cooking Zone - 1200/1500W
- Ø18 CM Cooking Zone - 1800/2200W





Island Hoods



Sereno S Isola

LDI24 GL

850

Free Flow Extraction

5

Speed

90

cm

200 W

Motor Power

> MAIN FEATURES

- Installation: Island
- Control: Soft Touch with Display (Double Side)
- Lighting: 4x2W LED Spot
- Filter: Aluminium (Dishwasher Safe)
- Air Outlet: 150 mm

- Chimney: Adjustable & Double
- Filter Saturation Indicator: Yes
- Timer: 15 Mins
- Noise Level: min 51dB - max 68dB
- Airflow Capacity (DIN EN 61591): min 250 m³/h - max 615 m³/h

- Airflow Capacity (Free Flow): 850 m³/h
- Motor: 200 Watt Blower Type
- Energy Class: C

> OPTIONAL FEATURES

- Carbon Filter Set
- 700 m³/h - 210 Watt Blower Motor (A class energy)
- 750 m³/h - 210 Watt Blower Motor (B class energy)

> COLOR OPTIONS



Black Inox White

FormaT Isola

LDI35

850

Free Flow Extraction

3

Speed

90

cm

200 W

Motor Power



> MAIN FEATURES

- Installation: Island
- Control: Push Button (Double Side)
- Lighting: 2x2W LED Spot
- Filter: Aluminium (Dishwasher Safe)

- Air Outlet: 150 mm
- Chimney: Adjustable & Double
- Noise Level: min 51dB - max 68dB

- Airflow Capacity (DIN EN 61591): min 250 m³/h - max 615 m³/h
- Energy Class: C

> OPTIONAL FEATURES

- Carbon Filter Set
- 700 m³/h - 210 Watt Blower Motor (A class energy)
- 750 m³/h - 210 Watt Blower Motor (B class energy)

> COLOR OPTIONS



Black Inox White

Sereno Isola

LDI24

850

Free Flow Extraction

5

Speed

90

cm

200 W

Motor Power



> MAIN FEATURES

- Installation: Island
- Control: Soft Touch with Display (Double Side)
- Lighting: 2x2W LED Spot
- Filter: Aluminium (Dishwasher Safe)

- Air Outlet: 150 mm
- Chimney: Adjustable & Double
- Filter Saturation Indicator: Yes
- Timer: 15 Mins
- Noise Level: min 51dB - max 68dB

- Airflow Capacity (DIN EN 61591): min 250 m³/h - max 615 m³/h
- Energy Class: C

> OPTIONAL FEATURES

- Carbon Filter Set
- 700 m³/h - 210 Watt Blower Motor (A class energy)
- 750 m³/h - 210 Watt Blower Motor (B class energy)
- Baffle Filter

> COLOR OPTIONS



Black Inox White



Piano S Isola

LDI96

850
Free Flow Extraction5
Speed90
cm200 W
Motor Power

> MAIN FEATURES

- Installation: Island
- Control: Touch with Display (Double Side)
- Lighting: 4x2W LED Spot
- Filter: Aluminium (Dishwasher Safe)

- Air Outlet: 150 mm
- Chimney: Adjustable & Double
- Filter Saturation Indicator: Yes
- Timer: 15 Mins
- Noise Level: min 51dB - max 68dB

- Airflow Capacity (DIN EN 61591): min 250 m³/h - max 615 m³/h
- Energy Class: C

> OPTIONAL FEATURES

- Carbon Filter Set
- Remote Control
- 700 m³/h - 210 Watt Blower Motor (A class energy)
- 750 m³/h - 210 Watt Blower Motor (B class energy)
- Baffle Filter

> COLOR OPTIONS



Black Inox White



Tergola Isola

LDI32

550
Free Flow Extraction3
Speed90
cm140 W
Motor Power

> MAIN FEATURES

- Installation: Island
- Control: Touch
- Lighting: 2x2W LED Spot
- Filter: Aluminium (Dishwasher Safe)
- Air Outlet: 150 mm

- Chimney: Adjustable & Double
- Timer: 5 Mins
- Noise Level: min 55dB - max 65dB
- Airflow Capacity (DIN EN 61591): min 245 m³/h - max 455 m³/h

- Motor: 140 Watt Blower Type
- Energy Class: D

> OPTIONAL FEATURES

- Carbon Filter Set
- Remote Control
- 700 m³/h - 210 Watt Blower Motor (A class energy)

- 750 m³/h - 210 Watt Blower Motor (B class energy)
- 850 m³/h - 200 Watt Blower Motor (C class energy)
- Baffle Filter

> COLOR OPTIONS





Cylinder & Box Hoods



Rotolo Isola

LDI40 X

550

Free Flow Extraction

3

Speed

Ø40

cm

140 W

Motor Power

> MAIN FEATURES

- Height: 122 CM (90+32)
- Installation: Island
- Control: Flat Push Button
- Lighting: 2x2W LED Spot

- Filter: Aluminium (Dishwasher Safe)
- Air Outlet: 150 mm
- Chimney: Telescopic
- Black Painted Command Panel

- Noise Level: min 55dB - max 65dB
- Airflow Capacity (DIN EN 61591): min 245 m³/h - max 455 m³/h
- Energy Class: D

> OPTIONAL FEATURES

- Carbon Filter Set
- Remote Control
- 700 m³/h - 210 Watt Blower Motor (A class energy)
- 750 m³/h - 210 Watt Blower Motor (B class energy)

- 850 m³/h - 200 Watt Blower Motor (C class energy) / 5 SPEEDS

> COLOR OPTIONS



Rotolo S Isola

NEW

LDI40 GCDX-03

550

Free Flow Extraction

3

Speed

Ø40

cm

140 W

Motor Power

> MAIN FEATURES

- Height: 122 CM (90+32)
- Installation: Island
- Control: Touch With Display
- Lighting: 4x2W LED Spot (On Glass Cover)

- Filter: Aluminium (Dishwasher Safe)
- Air Outlet: 150 mm
- Filter Saturation Indicator: Yes
- Timer: 15 Mins
- Noise Level: min 55dB - max 65dB

- Airflow Capacity (DIN EN 61591): min 245 m³/h - max 455 m³/h
- Energy Class: D

> OPTIONAL FEATURES

- Carbon Filter Set
- Remote Control
- 700 m³/h - 210 Watt Blower Motor (A class energy)

- 750 m³/h - 210 Watt Blower Motor (B class energy)
- 850 m³/h - 200 Watt Blower Motor (C class energy) / 5 SPEEDS

> COLOR OPTIONS



Rotolo

LD40 X

550

Free Flow Extraction

3

Speed

Ø40

cm

140 W

Motor Power

> MAIN FEATURES

- Height: 103 CM (65+38)
- Installation: Wall Type
- Control: Flat Push Button
- Lighting: 2x2W LED Spot
- Filter: Aluminium (Dishwasher Safe)

- Air Outlet: 150 mm
- Noise Level: min 55dB - max 65dB
- Airflow Capacity (DIN EN 61591): min 245 m³/h - max 455 m³/h

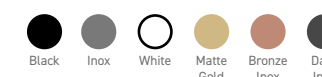
- Motor: 140 Watt Blower Type
- Energy Class: D

> OPTIONAL FEATURES

- Carbon Filter Set
- 700 m³/h - 210 Watt Blower Motor (A class energy)
- 750 m³/h - 210 Watt Blower Motor (B class energy)

- 850 m³/h - 200 Watt Blower Motor (C class energy)

> COLOR OPTIONS





Rotolo S

LD40BRZX-03

550

Free Flow Extraction

3

Speed

Ø40

cm

140 W

Motor Power

> MAIN FEATURES

- Height: 103 CM (65+38)
- Installation: Wall Type
- Control: Touch With Display
- Lighting: 2x2W LED Spot
- Filter: Aluminium (Dishwasher Safe)
- Air Outlet: 150 mm
- Filter Saturation Indicator: Yes
- Timer: 15 Mins
- Noise Level: min 55dB - max 65dB
- Airflow Capacity (DIN EN 61591): min 245 m³/h - max 455 m³/h
- Energy Class: D

> OPTIONAL FEATURES

- Carbon Filter Set
- Remote Control
- 700 m³/h - 210 Watt Blower Motor (A class energy)
- 750 m³/h - 210 Watt Blower Motor (B class energy)
- 850 m³/h - 200 Watt Blower Motor (C class energy) / 5 SPEEDS

> COLOR OPTIONS



Column

NEW

LD61

550

Free Flow Extraction

3

Speed

40

cm

140 W

Motor Power

> MAIN FEATURES

- Height: 103 CM (65+38)
- Installation: Wall Type
- Control: Soft Touch with Display
- Lighting: 2X2W LED Spot
- Filter: Aluminium (Dishwasher Safe)
- Air Outlet: 150 mm
- Filter Saturation Indicator: Yes
- Timer: 15 Mins
- Noise Level: min 55dB - max 65dB
- Airflow Capacity (DIN EN 61591): min 245 m³/h - max 455 m³/h
- Energy Class: D

> OPTIONAL FEATURES

- Carbon Filter Set
- 700 m³/h - 210 Watt Blower Motor (A class energy)
- 750 m³/h - 210 Watt Blower Motor (B class energy)
- 850 m³/h - 200 Watt Blower Motor (C class energy) / 5 SPEEDS

> COLOR OPTIONS





Inclined Hoods



Automatic

LD99

550

Free Flow Extraction

3

Speed

60

cm

140 W

Motor Power

> MAIN FEATURES

- Installation: Wall Type
- Control: Touch with Display
- Auto Intelligent Opening: Yes
- Lighting: 2x2W LED Spot
- Filter: Aluminium (Dishwasher Safe)
- Air Outlet: 150 mm
- Chimney: Adjustable & Double
- Filter Saturation Indicator: Yes
- Timer: 15 Mins
- Piston Hinge: Yes
- Noise Level: min 55dB - max 65dB
- Airflow Capacity (DIN EN 61591): min 245 m³/h - max 455 m³/h
- Energy Class: D

> OPTIONAL FEATURES

- Carbon Filter Set
- 90 CM
- Remote Control
- 700 m³/h - 210 Watt Blower Motor (A class energy)
- 750 m³/h - 210 Watt Blower Motor (B class energy)
- 850 m³/h - 200 Watt Blower Motor (C class energy) / 5 SPEEDS

> GLASS COLOR OPTIONS



Morbido

LD75

550

Free Flow Extraction

3

Speed

60

cm

140 W

Motor Power

> MAIN FEATURES

- Installation: Wall Type
- Control: Touch with Display
- Lighting: 2x2W LED Spot
- Filter: Aluminium (Dishwasher Safe)
- Air Outlet: 150 mm
- Chimney: Adjustable & Double
- Filter Saturation Indicator: Yes
- Timer: 15 Mins
- Piston Hinge: Yes (Soft Opening/Closing)
- Noise Level: min 55dB - max 65dB
- Airflow Capacity (DIN EN 61591): min 245 m³/h - max 455 m³/h
- Energy Class: D

> OPTIONAL FEATURES

- Carbon Filter Set
- 90 CM
- Remote Control
- 700 m³/h - 210 Watt Blower Motor (A class energy)
- 750 m³/h - 210 Watt Blower Motor (B class energy)
- 850 m³/h - 200 Watt Blower Motor (C class energy) / 5 SPEEDS

> GLASS COLOR OPTIONS



CERAMIC
FINISHING

Nebula

LD55-60 STONE

NEW

400

Free Flow Extraction

3

Speed

60

cm

110 W

Motor Power

> MAIN FEATURES

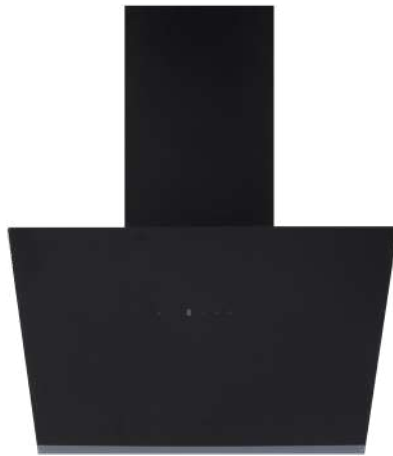
- Installation: Wall Type
- Control: Radio Frequency (RF)
- Lighting: 2x1W LED Spot
- Filter: Aluminium (Dishwasher Safe)
- Air Outlet: 120 mm
- Chimney: Adjustable & Double
- Timer: 5 Mins
- Piston Hinge: Yes
- Noise Level: min 53dB - max 63dB
- Airflow Capacity (DIN EN 61591): min 125 m³/h - max 250 m³/h
- Energy Class: D

> OPTIONAL FEATURES

- Carbon Filter Set
- 90 CM
- 550 m³/h - 140 Watt Blower Motor (D class energy)
- 700 m³/h - 210 Watt Blower Motor (A class energy)
- 750 m³/h - 210 Watt Blower Motor (B class energy)
- 850 m³/h - 200 Watt Blower Motor (C class energy)

> COLOR OPTIONS





Singola

LD55CC

400 | 3 | 60 | 110W
Free Flow Extraction | Speed | cm | Motor Power

> MAIN FEATURES

- Installation: Wall Type
- Control: Touch
- Lighting: 1x5W LED
- Filter: Aluminium (Dishwasher Safe)
- Air Outlet: 120 mm
- Chimney: Adjustable & Double
- Timer: 5 Mins
- Piston Hinge: Yes
- Noise Level: min 53dB - max 63dB
- Airflow Capacity (DIN EN 61591): min 125 m³/h - max 250 m³/h
- Energy Class: D

> OPTIONAL FEATURES

- Carbon Filter Set
- 90 CM
- Remote Control
- 550 m³/h - 140 Watt Blower Motor (D class energy)
- 700 m³/h - 210 Watt Blower Motor (A class energy)
- 750 m³/h - 210 Watt Blower Motor (B class energy)
- 850 m³/h - 200 Watt Blower Motor (C class energy)

> GLASS COLOR OPTIONS



Singola Sub

LD55 VR2

400 | 3 | 60 | 110W
Free Flow Extraction | Speed | cm | Motor Power

> MAIN FEATURES

- Installation: Wall Type
- Control: Hidden Push Button
- Lighting: 1x5W LED
- Filter: Aluminium (Dishwasher Safe)
- Air Outlet: 120 mm
- Chimney: Adjustable & Double
- Noise Level: min 53dB - max 63dB
- Airflow Capacity (DIN EN 61591): min 125 m³/h - max 250 m³/h
- Energy Class: D

> OPTIONAL FEATURES

- Carbon Filter Set
- 90 CM
- Piston Hinge
- 550 m³/h - 140 Watt Blower Motor (D class energy)
- 700 m³/h - 210 Watt Blower Motor (A class energy)
- 750 m³/h - 210 Watt Blower Motor (B class energy)
- 850 m³/h - 200 Watt Blower Motor (C class energy)

> GLASS COLOR OPTIONS



Vitrox

LD74

550 | 3 | 60 | 140W
Free Flow Extraction | Speed | cm | Motor Power

> MAIN FEATURES

- Installation: Wall Type
- Control: Touch with Display
- Lighting: 2x2W LED Spot
- Filter: Aluminium (Dishwasher Safe)
- Air Outlet: 150 mm
- Chimney: Adjustable & Double
- Filter Saturation Indicator: Yes
- Timer: 15 Mins
- Piston Hinge: Yes
- Noise Level: min 55dB - max 65dB
- Airflow Capacity (DIN EN 61591): min 245 m³/h - max 455 m³/h
- Energy Class: D

> OPTIONAL FEATURES

- Carbon Filter Set
- 90 CM
- Remote Control
- 700 m³/h - 210 Watt Blower Motor (A class energy)
- 750 m³/h - 210 Watt Blower Motor (B class energy)
- 850 m³/h - 200 Watt Blower Motor (C class energy) / 5 SPEEDS

> COLOR OPTIONS





Strati

LD51

550

Free Flow Extraction

3

Speed

60

cm

140W

Motor Power

> MAIN FEATURES

- Installation: Wall Type
- Control: Touch with Display
- Lighting: 2x2W LED Spot
- Filter: Aluminium (Dishwasher Safe)
- Air Outlet: 150 mm

- Chimney: Adjustable & Double
- Filter Saturation Indicator: Yes
- Timer: 15 Mins
- Piston Hinge: Yes
- Noise Level: min 55dB - max 65dB

- Airflow Capacity (DIN EN 61591): min 245 m³/h - max 455 m³/h
- Energy Class: D

> OPTIONAL FEATURES

- Carbon Filter Set
- 90 CM
- Remote Control
- 700 m³/h - 210 Watt Blower Motor (A class energy)
- 750 m³/h - 210 Watt Blower Motor (B class energy)

- 850 m³/h - 200 Watt Blower Motor (C class energy) / 5 SPEEDS

> GLASS COLOR OPTIONS



Galba

LD50CC

550

Free Flow Extraction

3

Speed

90

cm

140W

Motor Power

> MAIN FEATURES

- Installation: Wall Type
- Control: Touch
- Lighting: 2x2W LED Spot
- Filter: Aluminium (Dishwasher Safe)
- Air Outlet: 150 mm

- Chimney: Adjustable & Double
- Timer: 5 Mins
- Piston Hinge: Yes
- Noise Level: min 55dB - max 65dB

- Airflow Capacity (DIN EN 61591): min 245 m³/h - max 455 m³/h
- Energy Class: D

> OPTIONAL FEATURES

- Carbon Filter Set
- 60 CM
- Piston Hinge
- 550 m³/h - 140 Watt Blower Motor (D class energy)
- 700 m³/h - 210 Watt Blower Motor (A class energy)

- 750 m³/h - 210 Watt Blower Motor (B class energy)
- 850 m³/h - 200 Watt Blower Motor (C class energy)

> GLASS COLOR OPTIONS



Luxe

LD48-X

550

Free Flow Extraction

3

Speed

60

cm

140W

Motor Power

> MAIN FEATURES

- Installation: Wall Type
- Control: Soft Touch with Display
- Lighting: 2x2W LED Spot
- Filter: Aluminium (Dishwasher Safe)
- Air Outlet: 150 mm

- Chimney: Adjustable & Double
- Filter Saturation Indicator: Yes
- Timer: 5 Mins
- Piston Hinge: Yes
- Noise Level: min 55dB - max 65dB

- Airflow Capacity (DIN EN 61591): min 245 m³/h - max 455 m³/h
- Energy Class: D

> OPTIONAL FEATURES

- Carbon Filter Set
- 90 CM
- Remote Control
- 700 m³/h - 210 Watt Blower Motor (A class energy)

- 750 m³/h - 210 Watt Blower Motor (B class energy)
- 850 m³/h - 200 Watt Blower Motor (C class energy)

> COLOR OPTIONS





Luxo Vetro

LD48-GL

550
Free Flow Extraction3
Speed60
cm140W
Motor Power

> MAIN FEATURES

- Installation: Wall Type
- Control: Soft Touch with Display
- Lighting: 2x2W LED Spot
- Filter: Aluminium (Dishwasher Safe)
- Air Outlet: 150 mm

- Chimney: Adjustable & Double
- Filter Saturation Indicator: Yes
- Timer: 5 Mins
- Piston Hinge: Yes
- Noise Level: min 55dB - max 65dB

- Airflow Capacity (DIN EN 61591): min 245 m³/h - max 455 m³/h
- Energy Class: D

> OPTIONAL FEATURES

- Carbon Filter Set
- 90 CM
- Remote Control
- 700 m³/h - 210 Watt Blower Motor (A class energy)

- 750 m³/h - 210 Watt Blower Motor (B class energy)
- 850 m³/h - 200 Watt Blower Motor (C class energy)

> GLASS COLOR OPTIONS



Gemini X

LD47CC-X

400
Free Flow Extraction3
Speed60
cm110W
Motor Power

> MAIN FEATURES

- Installation: Wall Type
- Control: Touch
- Lighting: 2x1W LED Spot
- Filter: Aluminium (Dishwasher Safe)

- Air Outlet: 120 mm
- Chimney: Adjustable & Double
- Timer: 5 Mins
- Piston Hinge: Yes

- Noise Level: min 53dB - max 63dB
- Airflow Capacity (DIN EN 61591): min 125 m³/h - max 250 m³/h
- Energy Class: D

> OPTIONAL FEATURES

- Carbon Filter Set
- 90 CM
- Remote Control
- 550 m³/h - 140 Watt Blower Motor (D class energy)
- 700 m³/h - 210 Watt Blower Motor (A class energy)

- 750 m³/h - 210 Watt Blower Motor (B class energy)
- 850 m³/h - 200 Watt Blower Motor (C class energy)

> GLASS COLOR OPTIONS



Gemini

LD47CC

400
Free Flow Extraction3
Speed60
cm110W
Motor Power

> MAIN FEATURES

- Installation: Wall Type
- Control: Touch
- Lighting: 2x1W LED Spot
- Filter: Aluminium (Dishwasher Safe)
- Air Outlet: 120 mm

- Chimney: Adjustable & Double
- Timer: 5 Mins
- Piston Hinge: Yes
- Noise Level: min 53dB - max 63dB

- Airflow Capacity (DIN EN 61591): min 125 m³/h - max 250 m³/h
- Energy Class: D

> OPTIONAL FEATURES

- Carbon Filter Set
- 90 CM
- Remote Control
- 550 m³/h - 140 Watt Blower Motor (D class energy)
- 700 m³/h - 210 Watt Blower Motor (A class energy)

- 750 m³/h - 210 Watt Blower Motor (B class energy)
- 850 m³/h - 200 Watt Blower Motor (C class energy)

> GLASS COLOR OPTIONS





Gemini Sub

LD42BB

400

Free Flow Extraction

3

Speed

60

cm

110W

Motor Power

> MAIN FEATURES

- Installation: Wall Type
- Control: Hidden Push Button
- Lighting: 2x2W LED Spot
- Filter: Aluminium (Dishwasher Safe)

- Air Outlet: 120 mm
- Chimney: Adjustable & Double
- Noise Level: min 53dB - max 63dB

- Airflow Capacity (DIN EN 61591): min 125 m³/h - max 250 m³/h
- Energy Class: D

> OPTIONAL FEATURES

- Carbon Filter Set
- 90 CM
- Piston Hinge
- 2x1 Watt LED Spots
- 550 m³/h - 140 Watt Blower Motor (D class energy)
- 700 m³/h - 210 Watt Blower Motor (A class energy)

- 750 m³/h - 210 Watt Blower Motor (B class energy)
- 850 m³/h - 200 Watt Blower Motor (C class energy)

> GLASS COLOR OPTIONS



Gemini Mecca

LD46BB

400

Free Flow Extraction

3

Speed

60

cm

110W

Motor Power

> MAIN FEATURES

- Installation: Wall Type
- Control: Push Button
- Lighting: 1x5W LED
- Filter: Aluminium (Dishwasher Safe)

- Air Outlet: 120 mm
- Chimney: Adjustable & Double
- Noise Level: min 53dB - max 63dB

- Airflow Capacity (DIN EN 61591): min 125 m³/h - max 250 m³/h
- Energy Class: D

> OPTIONAL FEATURES

- Carbon Filter Set
- 90 CM
- Piston Hinge
- 2x1 Watt LED Spots
- 550 m³/h - 140 Watt Blower Motor (D class energy)

- 700 m³/h - 210 Watt Blower Motor (A class energy)
- 750 m³/h - 210 Watt Blower Motor (B class energy)
- 850 m³/h - 200 Watt Blower Motor (C class energy)

> GLASS COLOR OPTIONS



Ombelico

NEW

LD91

550

Free Flow Extraction

3

Speed

60

cm

140W

Motor Power

> MAIN FEATURES

- Installation: Wall Type
- Control: Touch with Display
- Lighting: 2x2W LED Spot
- Filter: Aluminium (Dishwasher Safe)

- Air Outlet: 150 mm
- Chimney: Adjustable & Double
- Timer: 15 Mins
- Piston Hinge: Yes

- Noise Level: min 55dB - max 65dB
- Airflow Capacity (DIN EN 61591): min 245 m³/h - max 455 m³/h
- Energy Class: D

> OPTIONAL FEATURES

- Carbon Filter Set
- 90 CM
- Remote Control
- 700 m³/h - 210 Watt Blower Motor (A class energy)

- 750 m³/h - 210 Watt Blower Motor (B class energy)
- 850 m³/h - 200 Watt Blower Motor (C class energy)

> COLOR OPTIONS





Helmet

NEW

LD101

550
Free Flow Extraction

3
Speed

90
cm

140 W
Motor Power

> MAIN FEATURES

- Installation: Wall Type
- Control: Touch with Display
- Lighting: 2x2W LED Spot
- Filter: Inox Baffle
- Air Outlet: 150 mm

- Chimney: Adjustable & Double
- Filter Saturation Indicator: Yes
- Timer: 15 Mins
- Noise Level: min 55dB - max 65dB
- Airflow Capacity (DIN EN 61591): min

- 245 m³/h - max 455 m³/h
- Energy Class: D

> OPTIONAL FEATURES

- Carbon Filter Set
- 60 CM
- Remote Control
- Aluminium Filters (Dishwasher Safe)
- 700 m³/h - 210 Watt Blower Motor (A class energy)

- 750 m³/h - 210 Watt Blower Motor (B class energy)
- 850 m³/h - 200 Watt Blower Motor (C class energy) / 5 SPEEDS

> GLASS COLOR OPTIONS



Piatto

LD100

850
Free Flow Extraction

5
Speed

60
cm

200 W
Motor Power

> MAIN FEATURES

- Installation: Wall Type
- Control: Touch
- Lighting: 2x2W LED Spot
- Filter: Aluminium (Dishwasher Safe)

- Air Outlet: 150 mm
- Chimney: Adjustable & Double
- Timer: 5 Mins
- Noise Level: min 51dB - max 68dB

- Airflow Capacity (DIN EN 61591): min 250 m³/h - max 615 m³/h
- Energy Class: C

> OPTIONAL FEATURES

- Carbon Filter Set
- 90 CM
- Remote Control
- 550 m³/h - 140 Watt Blower Motor (D class energy)
- 700 m³/h - 210 Watt Blower Motor (A

- class energy)
- 750 m³/h - 210 Watt Blower Motor (B class energy)

> GLASS COLOR OPTIONS







T-Type Hoods



Piano S

LD96-90

550

Free Flow Extraction

3

Speed

90

cm

140 W

Motor Power

> MAIN FEATURES

- Installation: Wall Type
- Control: Touch with Display
- Lighting: 2x2W LED Spot
- Filter: Aluminium (Dishwasher Safe)

- Air Outlet: 150 mm
- Chimney: Adjustable & Double
- Filter Saturation Indicator: Yes
- Timer: 15 Mins

- Noise Level: min 55dB - max 65dB
- Airflow Capacity (DIN EN 61591): min 245 m³/h - max 455 m³/h
- Energy Class: D

> OPTIONAL FEATURES

- Carbon Filter Set
- 60 CM
- Remote Control
- Aluminium Filters (Dishwasher Safe)
- 700 m³/h - 210 Watt Blower Motor (A class energy)

- 750 m³/h - 210 Watt Blower Motor (B class energy)
- 850 m³/h - 200 Watt Blower Motor (C class energy) / 5 SPEEDS

> COLOR OPTIONS



Black White Inox



Piano

LD96PB

550

Free Flow Extraction

3

Speed

60

cm

140 W

Motor Power

> MAIN FEATURES

- Installation: Wall Type
- Control: Push Button
- Lighting: 2x2W LED Spot
- Filter: Aluminium (Dishwasher Safe)

- Air Outlet: 150 mm
- Chimney: Adjustable & Double
- Noise Level: min 55dB - max 65dB

- Airflow Capacity (DIN EN 61591): min 245 m³/h - max 455 m³/h
- Energy Class: D

> OPTIONAL FEATURES

- Carbon Filter Set
- 90 CM
- Inox Baffle Filters (Dishwasher Safe)
- 700 m³/h - 210 Watt Blower Motor (A class energy)

- 750 m³/h - 210 Watt Blower Motor (B class energy)
- 850 m³/h - 200 Watt Blower Motor (C class energy)

> COLOR OPTIONS



Black White Inox



Format

LD35

550

Free Flow Extraction

3

Speed

60

cm

110 W

Motor Power

> MAIN FEATURES

- Installation: Wall Type
- Control: Push Button
- Lighting: 2x2W LED Spot
- Filter: Aluminium (Dishwasher Safe)

- Air Outlet: 120 mm
- Chimney: Adjustable & Double
- Noise Level: min 53dB - max 63dB
- Airflow Capacity (DIN EN 61591): min

- 125 m³/h - max 250 m³/h
- Energy Class: D

> OPTIONAL FEATURES

- Carbon Filter Set
- 90 CM
- 2x1W LED Spot
- 550 m³/h - 140 Watt Blower Motor (D class energy)
- 700 m³/h - 210 Watt Blower Motor (A class energy)

- 750 m³/h - 210 Watt Blower Motor (B class energy)
- 850 m³/h - 200 Watt Blower Motor (C class energy)

> COLOR OPTIONS



Black White Inox



Onda

LD93B-90

550
Free Flow Extraction

5
Speed

90
cm

140 W
Motor Power

> MAIN FEATURES

- Installation: Wall Type
- Control: Touch & Gesture
- Lighting: 2x2W LED Spot
- Filter: Aluminium (Dishwasher Safe)

- Air Outlet: 150 mm
- Chimney: Adjustable & Double
- Filter Saturation Indicator: Yes
- Timer: 15 Mins

- Noise Level: min 55dB - max 65dB
- Airflow Capacity (DIN EN 61591): min 245 m³/h - max 455 m³/h
- Energy Class: D

> OPTIONAL FEATURES

- Carbon Filter Set
- 60 CM
- Remote Control
- Inox Baffle Filters (Dishwasher Safe)
- 700 m³/h - 210 Watt Blower Motor (A class energy)

- 750 m³/h - 210 Watt Blower Motor (B class energy)
- 850 m³/h - 200 Watt Blower Motor (C class energy) / 5 SPEEDS

> COLOR OPTIONS



Black White Inox



HD400

NEW

LD96-90 BF VR3

550
Free Flow Extraction

5
Speed

90
cm

140 W
Motor Power

> MAIN FEATURES

- Installation: Wall Type
- Control: Touch & Gesture
- Lighting: 2x2W LED Spot
- Filter: Inox Baffle Filters

- Air Outlet: 150 mm
- Chimney: Adjustable & Double
- Filter Saturation Indicator: Yes
- Timer: 15 Mins

- Noise Level: min 55dB - max 65dB
- Airflow Capacity (DIN EN 61591): min 245 m³/h - max 455 m³/h
- Energy Class: D

> OPTIONAL FEATURES

- Carbon Filter Set
- 60 CM
- Remote Control
- 700 m³/h - 210 Watt Blower Motor (A class energy)

- 750 m³/h - 210 Watt Blower Motor (B class energy)
- 850 m³/h - 200 Watt Blower Motor (C class energy)

> GLASS COLOR OPTIONS



Black White



Tergola

LD32-90

400
Free Flow Extraction

3
Speed

90
cm

140 W
Motor Power

> MAIN FEATURES

- Installation: Wall Type
- Control: Push Button
- Lighting: 2x2W LED Spot
- Filter: Aluminium (Dishwasher Safe)

- Air Outlet: 120 mm
- Chimney: Adjustable & Double
- Noise Level: min 53dB - max 63dB

- Airflow Capacity (DIN EN 61591): min 125 m³/h - max 250 m³/h
- Motor: 110 Watt Blower Type
- Energy Class: D

> OPTIONAL FEATURES

- Carbon Filter Set
- 60 CM
- 550 m³/h - 140 Watt Blower Motor (D class energy)
- 700 m³/h - 210 Watt Blower Motor (A class energy)

- 750 m³/h - 210 Watt Blower Motor (B class energy)
- 850 m³/h - 200 Watt Blower Motor (C class energy)

> COLOR OPTIONS



Black White Inox





Tergola S

LD32-03-90

550
Free Flow Extraction3
Speed90
cm140 W
Motor Power

> MAIN FEATURES

- Installation : Wall Type
- Control : Touch
- Lighting : 2x2W LED Spot
- Filter : Aluminum (Dishwasher Safe)

- Air Outlet : 150 mm
- Chimney : Adjustable & Double
- Timer : 5 Mins
- Noise Level : min 55dB - max 65dB

- Airflow Capacity (DIN EN 61591) : min 245 m³/h - max 455 m³/h
- Motor : 140 Watt Blower Type
- Energy Class: D

> OPTIONAL FEATURES

- Carbon Filter Set
- 60 CM
- Remote Control
- 700 m³/h - 210 Watt Blower Motor (A class energy)

- 750 m³/h - 210 Watt Blower Motor (B class energy)
- 850 m³/h - 200 Watt Blower Motor (C class energy)

> COLOR OPTIONS



Magu

LD22PB-90

400
Free Flow Extraction3
Speed90
cm110 W
Motor Power

> MAIN FEATURES

- Installation: Wall Type
- Control: Push Button
- Lighting: 1x5W LED Bulb
- Filter: Aluminium (Dishwasher Safe)

- Air Outlet: 150 mm
- Chimney: Adjustable & Double
- Noise Level: min 53dB - max 63dB

- Airflow Capacity (DIN EN 61591): min 125 m³/h - max 250 m³/h
- Energy Class: D

> OPTIONAL FEATURES

- Carbon Filter Set
- 60 CM
- 550 m³/h - 140 Watt Blower Motor (D class energy)
- 700 m³/h - 210 Watt Blower Motor (A class energy)

- 750 m³/h - 210 Watt Blower Motor (B class energy)
- 850 m³/h - 200 Watt Blower Motor (C class energy)

> COLOR OPTIONS



Magu S

LD22-03B TOUCH

550
Free Flow Extraction3
Speed90
cm140 W
Motor Power

> MAIN FEATURES

- Installation: Wall Type
- Control: Touch
- Lighting: 2x1W LED Spot
- Filter: Aluminum (Dishwasher Safe)

- Air Outlet: 150 mm
- Chimney: Adjustable & Double
- Timer: 5 Mins
- Noise Level: min 55dB - max 65dB

- Airflow Capacity (DIN EN 61591): min 245 m³/h - max 455 m³/h
- Energy Class: D

> OPTIONAL FEATURES

- Carbon Filter Set
- Remote Control
- 700 m³/h - 210 Watt Blower Motor (A class energy)

- 750 m³/h - 210 Watt Blower Motor (B class energy)
- 850 m³/h - 200 Watt Blower Motor (C class energy)

> COLOR OPTIONS





Country Hoods

Giro Rustico

SD64 B ALU

400

Free Flow Extraction

3

Speed

60

cm

110W

Motor Power



> MAIN FEATURES

- Installation: Wall Type
- Control: Rustic Push Button
- Lighting: 1x5W LED Bulb
- Filter: Aluminium (Dishwasher Safe)

- Air Outlet: 120 mm
- Chimney: Adjustable & Double
- Noise Level: min 53dB - max 63dB

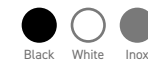
- Airflow Capacity (DIN EN 61591): min 125 m³/h - max 250 m³/h
- Energy Class: D

> OPTIONAL FEATURES

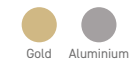
- Carbon Filter Set
- 90 CM
- 2x5 Watt Led Bulbs
- 550 m³/h - 140 Watt Blower Motor (D class energy)
- 700 m³/h - 210 Watt Blower Motor (A class energy)

- 750 m³/h - 210 Watt Blower Motor (B class energy)
- 850 m³/h - 200 Watt Blower Motor (C class energy)

> COLOR OPTIONS



> FRAME COLOR OPTIONS



Manico Rustico

SD56 BGR

400

Free Flow Extraction

3

Speed

60

cm

110W

Motor Power



> MAIN FEATURES

- Installation: Wall Type
- Control: Rustic Push Button
- Lighting: 1x5W LED Bulb
- Filter: Aluminium (Dishwasher Safe)

- Air Outlet: 120 mm
- Chimney: Adjustable & Double
- Noise Level: min 53dB - max 63dB

- Airflow Capacity (DIN EN 61591): min 125 m³/h - max 250 m³/h
- Energy Class: D

> OPTIONAL FEATURES

- Carbon Filter Set
- 90 CM
- 520 m³/h - 140 Watt Blower Motor (C class energy)

> COLOR OPTIONS



> HANDLE COLOR OPTIONS







Pyramidal Hoods



HD300 NEW

SD77

400
Free Flow Extraction

3
Speed

30
inc

110W
Motor Power

> MAIN FEATURES

- Installation: Wall Type
- Control: Touch & Gesture
- Lighting: 2x2W LED Spot
- Filter: Inox Baffle With Handle

- Chimney: Adjustable & Double
- Timer: 15 Mins
- Noise Level: min 53dB - max 63dB

- Airflow Capacity (DIN EN 61591): min 125 m³/h - max 250 m³/h
- Energy Class: D

> OPTIONAL FEATURES

- Carbon Filter Set
- 550 m³/h - 140 Watt Blower Motor (D class energy)
- 700 m³/h - 210 Watt Blower Motor (A class energy)

- 750 m³/h - 210 Watt Blower Motor (B class energy)
- 850 m³/h - 200 Watt Blower Motor (C class energy) / 5 SPEEDS

> COLOR OPTIONS



Mollis

SD59

400
Free Flow Extraction

3
Speed

60
cm

110W
Motor Power

> MAIN FEATURES

- Installation: Wall Type
- Control: Soft Touch with Display
- Lighting: 1x5W LED Bulb
- Filter: Aluminium (Dishwasher Safe)

- Air Outlet: 120 mm
- Chimney: Adjustable & Double
- Filter Saturation Indicator: Yes
- Timer: 15 Mins

- Noise Level: min 53dB - max 63dB
- Airflow Capacity (DIN EN 61591): min 125 m³/h - max 250 m³/h
- Energy Class: D

> OPTIONAL FEATURES

- Carbon Filter Set
- 90 CM
- 2x2 Watt Led Spots
- 550 m³/h - 140 Watt Blower Motor (D class energy)
- 700 m³/h - 210 Watt Blower Motor (A class energy)

- 750 m³/h - 210 Watt Blower Motor (B class energy)
- 850 m³/h - 200 Watt Blower Motor (C class energy) / 5 SPEEDS

> COLOR OPTIONS



Magnus

SD54

400
Free Flow Extraction

3
Speed

60
cm

110W
Motor Power

> MAIN FEATURES

- Installation: Wall Type
- Control: Push Button
- Lighting: 1x5W LED Bulb
- Filter: Aluminium (Dishwasher Safe)

- Air Outlet: 120 mm
- Chimney: Adjustable & Double
- Noise Level: min 53dB - max 63dB

- Airflow Capacity (DIN EN 61591): min 125 m³/h - max 250 m³/h
- Energy Class: D

> OPTIONAL FEATURES

- Carbon Filter Set
- 90 CM
- Rustic Push Button
- Rustic Handle
- 550 m³/h - 140 Watt Blower Motor (D class energy)

- 700 m³/h - 210 Watt Blower Motor (A class energy)
- 750 m³/h - 210 Watt Blower Motor (B class energy)
- 850 m³/h - 200 Watt Blower Motor (C class energy)

> COLOR OPTIONS





Farao

SD56-90

400
Free Flow Extraction

3
Speed

90
cm

110W
Motor Power

> MAIN FEATURES

- Installation: Wall Type
- Control: Push Button
- Lighting: 1x5W LED Bulb
- Filter: Aluminium (Dishwasher Safe)

- Air Outlet: 120 mm
- Chimney: Adjustable & Double
- Noise Level: min 53dB - max 63dB

- Airflow Capacity (DIN EN 61591): min 125 m³/h - max 250 m³/h
- Energy Class: D

> OPTIONAL FEATURES

- Carbon Filter Set
- 60 CM
- Rustic Push Button
- Rustic Handle
- 520 m³/h - 140 Watt Blower Motor (C class energy)

> COLOR OPTIONS





Corner Hoods



Anguli

LD33

550

Free Flow Extraction

3

Speed

90

cm

140W

Motor Power

> MAIN FEATURES

- Installation: Corner
- Control: Soft Touch with Display
- Lighting: 3x2W LED Spot
- Filter: Aluminium (Dishwasher Safe)

- Air Outlet: 150 mm
- Chimney: Adjustable & Double
- Filter Saturation Indicator: Yes
- Timer: 15 Mins

- Noise Level: min 55dB - max 65dB
- Airflow Capacity (DIN EN 61591): min 245 m³/h - max 455 m³/h
- Energy Class: D

> OPTIONAL FEATURES

- Carbon Filter Set
- 700 m³/h - 210 Watt Blower Motor (A class energy)
- 750 m³/h - 210 Watt Blower Motor (B class energy)

- 850 m³/h - 200 Watt Blower Motor (C class energy) / 5 SPEEDS

> COLOR OPTIONS



Black Inox







Built-In Hoods



Comodo Plus

GD82

550

Free Flow Extraction

3

Speed

82

cm

140W

Motor Power

> MAIN FEATURES

- Installation: Built-in
- Control: Push Button
- Lighting: 2x2W LED Spot
- Filter: Aluminium (Dishwasher Safe)

- Air Outlet: 150 mm
- Noise Level: min 55dB - max 65dB
- Airflow Capacity (DIN EN 61591): min 245 m³/h - max 455 m³/h

- Energy Class: D

> OPTIONAL FEATURES

- Carbon Filter Set
- Easy Fix Assembly System
- Rustic Push Button
- 52 CM / 60 CM / 72 CM
- 400 m³/h - 110 Watt Blower Motor (D class energy)
- 520 m³/h - 140 Watt Blower Motor (C class energy)

- 700 m³/h - 210 Watt Blower Motor (A class energy)
- 750 m³/h - 210 Watt Blower Motor (B class energy)
- 850 m³/h - 200 Watt Blower Motor (C class energy)

> COLOR OPTIONS



Nascosta Vetro

GLD52

550

Free Flow Extraction

3

Speed

52

cm

140W

Motor Power

> MAIN FEATURES

- Installation : Built-in
- Easy Fix Assembly System : Yes
- Control : Touch
- Lighting : 2x2W LED Flush
- Filter : Aluminium (Dishwasher Safe)

- Air Outlet : 150 mm
- Timer : 5 Mins
- Noise Level : min 55dB - max 65dB
- Airflow Capacity (DIN EN 61591) : min 245 m³/h - max 455 m³/h

- Motor : 140 Watt Blower Type
- Energy Class: D

> OPTIONAL FEATURES

- Carbon Filter Set
- Remote Control
- Gesture Control
- 60 CM / 72 CM / 82 CM
- 400 m³/h - 110 Watt Blower Motor (D class energy)
- 520 m³/h - 140 Watt Blower Motor (C class energy)

- 700 m³/h - 210 Watt Blower Motor (A class energy)
- 750 m³/h - 210 Watt Blower Motor (B class energy)
- 850 m³/h - 200 Watt Blower Motor (C class energy)

> COLOR OPTIONS



Omerta Pop Up

GC52 VR13

NEW

400

Free Flow Extraction

3

Speed

52

cm

110W

Motor Power

> MAIN FEATURES

- Installation : Built-in
- Control : POP-UP Knob
- Lighting : 2x2W LED Spot
- Filter : Aluminium (Dishwasher Safe)

- Air Outlet : 120 mm
- Noise Level : min 53dB - max 63dB
- Airflow Capacity (DIN EN 61591) : min 125 m³/h - max 250 m³/h

- Motor : 110 Watt Blower Type
- Energy Class: D

> OPTIONAL FEATURES

- Carbon Filter Set
- Easy Fix Assembly System
- 60 CM / 72 CM / 82 CM

- 520 m³/h - 140 Watt Blower Motor (C class energy)

> COLOR OPTIONS





Comodo S

GD52 VR3 TOUCH

550
Free Flow Extraction

3
Speed

52
cm

140 W
Motor Power

> MAIN FEATURES

- Installation: Built-in
- Easy Fix Assembly System: Yes
- Control: Touch
- Lighting: 2x2W LED Spot

- Filter: Aluminium (Dishwasher Safe)
- Air Outlet: 150 mm
- Timer: 5 Mins
- Noise Level: min 55dB - max 65dB

- Airflow Capacity (DIN EN 61591): min 245 m³/h - max 455 m³/h
- Energy Class: D

> OPTIONAL FEATURES

- Carbon Filter Set
- Remote Control
- 60 CM / 72 CM / 82 CM
- 400 m³/h - 110 Watt Blower Motor (D class energy)
- 520 m³/h - 140 Watt Blower Motor (C class energy)

- 700 m³/h - 210 Watt Blower Motor (A class energy)
- 750 m³/h - 210 Watt Blower Motor (B class energy)
- 850 m³/h - 200 Watt Blower Motor (C class energy)

> COLOR OPTIONS



Comodo

GD52

550
Free Flow Extraction

3
Speed

52
cm

140 W
Motor Power

> MAIN FEATURES

- Installation: Built-in
- Control: Push Button
- Lighting: 2x2W LED Spot

- Filter: Aluminium (Dishwasher Safe)
- Air Outlet: 150 mm
- Noise Level: min 55dB - max 65dB

- Airflow Capacity (DIN EN 61591): min 245 m³/h - max 455 m³/h
- Energy Class: D

> OPTIONAL FEATURES

- Carbon Filter Set
- Easy Fix Assembly System
- Rustic Push Button
- 60 CM / 72 CM / 82 CM
- 400 m³/h - 110 Watt Blower Motor (D class energy)
- 520 m³/h - 140 Watt Blower Motor (C class energy)

- 700 m³/h - 210 Watt Blower Motor (A class energy)
- 750 m³/h - 210 Watt Blower Motor (B class energy)
- 850 m³/h - 200 Watt Blower Motor (C class energy)

> COLOR OPTIONS



Omerta

GC52 VR5

400
Free Flow Extraction

3
Speed

52
cm

110 W
Motor Power

> MAIN FEATURES

- Installation : Built-in
- Control : Push Button
- Lighting : 2x2W LED Spot
- Filter : Aluminium (Dishwasher Safe)

- Air Outlet : 120 mm
- Noise Level : min 53dB - max 63dB
- Airflow Capacity (DIN EN 61591) : min 125 m³/h - max 250 m³/h

- Motor : 110 Watt Blower Type
- Energy Class: D

> OPTIONAL FEATURES

- Carbon Filter Set
- Easy Fix Assembly System
- Rustic Push Button
- 60 CM / 72 CM / 82 CM
- 520 m³/h - 140 Watt Blower Motor (C class energy)
- 550 m³/h - 140 Watt Blower Motor (D

- class energy)
- 700 m³/h - 210 Watt Blower Motor (A class energy)
- 750 m³/h - 210 Watt Blower Motor (B class energy)
- 850 m³/h - 200 Watt Blower Motor (C class energy)

> COLOR OPTIONS





Omerta S

GD52 VR5 TOUCH

550

Free Flow Extraction

3

Speed

52

cm

140 W

Motor Power

> MAIN FEATURES

- Installation: Built-in
- Easy Fix Assembly System: Yes
- Control: Touch
- Lighting: 2x2W LED Spot

- Filter: Aluminium (Dishwasher Safe)
- Air Outlet: 150 mm
- Timer: 5 Mins
- Noise Level: min 55dB - max 65dB

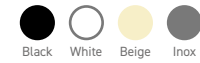
- Airflow Capacity (DIN EN 61591): min 245 m³/h - max 455 m³/h
- Energy Class: D

> OPTIONAL FEATURES

- Carbon Filter Set
- Remote Control
- 60 CM / 72 CM / 82 CM
- 400 m³/h - 110 Watt Blower Motor (D class energy)
- 520 m³/h - 140 Watt Blower Motor (C class energy)

- 700 m³/h - 210 Watt Blower Motor (A class energy)
- 750 m³/h - 210 Watt Blower Motor (B class energy)
- 850 m³/h - 200 Watt Blower Motor (C class energy)

> COLOR OPTIONS



Black White Beige Inox



Nascosta Ore

GLD52 VR2

550

Free Flow Extraction

3

Speed

52

cm

140 W

Motor Power

> MAIN FEATURES

- Installation: Built-in
- Easy Fix Assembly System: Yes
- Control: Soft Touch with Display
- Lighting: 2x2W LED Spot
- Filter: Aluminium (Dishwasher Safe)

- Air Outlet: 150 mm
- Filter Saturation Indicator: Yes
- Timer: 15 Mins
- Noise Level: min 55dB - max 65dB

- Airflow Capacity (DIN EN 61591): min 245 m³/h - max 455 m³/h
- Energy Class: D

> OPTIONAL FEATURES

- Carbon Filter Set
- Easy Fix Assembly System
- 60 CM / 72 CM / 82 CM
- 400 m³/h - 110 Watt Blower Motor (D class energy)
- 520 m³/h - 140 Watt Blower Motor (C class energy)

- 700 m³/h - 210 Watt Blower Motor (A class energy)
- 750 m³/h - 210 Watt Blower Motor (B class energy)
- 850 m³/h - 200 Watt Blower Motor (C class energy)

> COLOR OPTIONS



Inox



Nascosta Mesco

GLD52 VR3

550

Free Flow Extraction

3

Speed

52

cm

140 W

Motor Power

> MAIN FEATURES

- Installation: Built-in
- Easy Fix Assembly System: Yes
- Control: Touch
- Lighting: 2x2W LED Flush

- Filter: Aluminium (Dishwasher Safe)
- Air Outlet: 150 mm
- Timer: 5 Mins
- Noise Level: min 55dB - max 65dB

- Airflow Capacity (DIN EN 61591): min 245 m³/h - max 455 m³/h
- Energy Class: D

> OPTIONAL FEATURES

- Carbon Filter Set
- Remote Control
- Gesture Control
- 60 CM / 72 CM / 82 CM
- 400 m³/h - 110 Watt Blower Motor (D class energy)
- 520 m³/h - 140 Watt Blower Motor (C class energy)

- 700 m³/h - 210 Watt Blower Motor (A class energy)
- 750 m³/h - 210 Watt Blower Motor (B class energy)
- 850 m³/h - 200 Watt Blower Motor (C class energy)

> COLOR OPTIONS



Inox



Nascosta Basilare

GLD52 VR4

550

Free Flow Extraction

3

Speed

52

cm

140 W

Motor Power

> MAIN FEATURES

- Installation: Built-in
- Easy Fix Assembly System: Yes
- Control: Push Button
- Lighting: 2x2W LED Flush
- Filter: Aluminium (Dishwasher Safe)
- Air Outlet: 150 mm
- Noise Level: min 55dB - max 65dB
- Airflow Capacity (DIN EN 61591): min 245 m³/h - max 455 m³/h
- Energy Class: D

> OPTIONAL FEATURES

- Carbon Filter Set
- 60 CM / 72 CM / 82 CM
- 400 m³/h - 110 Watt Blower Motor (D class energy)
- 520 m³/h - 140 Watt Blower Motor (C class energy)
- 700 m³/h - 210 Watt Blower Motor (A class energy)
- 750 m³/h - 210 Watt Blower Motor (B class energy)
- 850 m³/h - 200 Watt Blower Motor (C class energy)

> COLOR OPTIONS



Lumin

NEW

GLD52 VR5

550

Free Flow Extraction

3

Speed

52

cm

140 W

Motor Power

> MAIN FEATURES

- Installation: Built-in
- Easy Fix Assembly System: Yes
- Control: Soft Touch with Display
- Lighting: 2x2W LED Spot
- Filter: Aluminium (Dishwasher Safe)
- Air Outlet: 150 mm
- Filter Saturation Indicator: Yes
- Timer: 15 Mins
- Noise Level: min 55dB - max 65dB
- Airflow Capacity (DIN EN 61591): min 245 m³/h - max 455 m³/h
- Energy Class: D

> OPTIONAL FEATURES

- Carbon Filter Set
- 400 m³/h - 110 Watt Blower Motor (D class energy)
- 520 m³/h - 140 Watt Blower Motor (C class energy)
- 700 m³/h - 210 Watt Blower Motor (A class energy)
- 750 m³/h - 210 Watt Blower Motor (B class energy)
- 850 m³/h - 200 Watt Blower Motor (C class energy)

> COLOR OPTIONS



Tamare

NEW

GD11

550

Free Flow Extraction

3

Speed

60

cm

140 W

Motor Power

> MAIN FEATURES

- Installation: Built-in
- Control: Touch Control
- Lighting: 2x2W LED Spot
- Filter: Aluminium (Dishwasher Safe)
- Air Outlet: 150 mm
- Noise Level: min 55dB - max 65dB
- Airflow Capacity (DIN EN 61591): min 245 m³/h - max 455 m³/h
- Energy Class: D

> OPTIONAL FEATURES

- Carbon Filter Set
- Easy Fix Assembly System
- 400 m³/h - 110 Watt Blower Motor (D class energy)
- 520 m³/h - 140 Watt Blower Motor (C class energy)
- 700 m³/h - 210 Watt Blower Motor (A class energy)
- 750 m³/h - 210 Watt Blower Motor (B class energy)
- 850 m³/h - 200 Watt Blower Motor (C class energy)

> COLOR OPTIONS





Nascosta Vetro Plus

GLD82

550

Free Flow Extraction

3

Speed

82

cm

140 W

Motor Power

> MAIN FEATURES

- Installation: Built-in
- Easy Fix Assembly System: Yes
- Control: Touch
- Lighting: 2x2W LED Flush

- Filter: Aluminium (Dishwasher Safe)
- Air Outlet: 150 mm
- Timer: 5 Mins
- Noise Level: min 55dB - max 65dB

- Airflow Capacity (DIN EN 61591): min 245 m³/h - max 455 m³/h
- Energy Class: D

> OPTIONAL FEATURES

- Carbon Filter Set
- Remote Control
- 52 CM / 60 CM / 72 CM
- 400 m³/h - 110 Watt Blower Motor (D class energy)
- 520 m³/h - 140 Watt Blower Motor (C class energy)

- 700 m³/h - 210 Watt Blower Motor (A class energy)
- 750 m³/h - 210 Watt Blower Motor (B class energy)
- 850 m³/h - 200 Watt Blower Motor (C class energy)

> COLOR OPTIONS



Nascosta Ore Plus

GLD82 VR2

550

Free Flow Extraction

3

Speed

82

cm

140 W

Motor Power

> MAIN FEATURES

- Installation: Built-in
- Easy Fix Assembly System: Yes
- Control: Soft Touch with Display
- Lighting: 2x2W LED Spot

- Filter: Aluminium (Dishwasher Safe)
- Air Outlet: 150 mm
- Filter Saturation Indicator: Yes
- Timer: 15 Mins

- Noise Level: min 55dB - max 65dB
- Airflow Capacity (DIN EN 61591): min 245 m³/h - max 455 m³/h
- Energy Class: D

> OPTIONAL FEATURES

- Carbon Filter Set
- Remote Control
- 52 CM / 60 CM / 72 CM
- 400 m³/h - 110 Watt Blower Motor (D class energy)
- 520 m³/h - 140 Watt Blower Motor (C class energy)

- 700 m³/h - 210 Watt Blower Motor (A class energy)
- 750 m³/h - 210 Watt Blower Motor (B class energy)
- 850 m³/h - 200 Watt Blower Motor (C class energy)

> COLOR OPTIONS





Xtra

LD30

400 | 3 | 60 | 110W
Free Flow Extraction | Speed | cm | Motor Power

> MAIN FEATURES

- Installation: Built-in & Wall Type
- Control: Flat Push Button
- Speed: 3
- Lighting: 2x1W LED Spot
- Filter: Aluminium (Dishwasher Safe)
- Air Outlet: 120 mm
- Noise Level: min 53dB - max 63dB
- Airflow Capacity (DIN EN 61591): min 125 m³/h - max 250 m³/h
- Energy Class: D

> OPTIONAL FEATURES

- Carbon Filter Set
- Easy Fix Assembly System
- 90 CM
- 520 m³/h - 140 Watt Blower Motor (C class energy)

> COLOR OPTIONS



Black White Inox



Xtra S

LD30-03

400 | 3 | 60 | 110W
Free Flow Extraction | Speed | cm | Motor Power

> MAIN FEATURES

- Installation: Built-in & Wall Type
- Control: Touch
- Lighting: 2x1W LED Spot
- Filter: Aluminium (Dishwasher Safe)
- Air Outlet: 120 mm
- Timer: 5 Mins
- Noise Level: min 53dB - max 63dB
- Airflow Capacity (DIN EN 61591): min 125 m³/h - max 250 m³/h
- Energy Class: D

> OPTIONAL FEATURES

- Carbon Filter Set
- Easy Fix Assembly System
- 90 CM
- 520 m³/h - 140 Watt Blower Motor (C class energy)

> COLOR OPTIONS



Black White Inox

> GLASS COLOR OPTIONS



Black White





Classic Hoods



Sotto Doppio Vetro

5502B-90 GL

450

Free Flow Extraction

3

Speed

90

cm

2 x 90 W

Motor Power

> MAIN FEATURES

- Installation: Under Cabinet
- Frontal Recirculation: Yes
- Control: Push Button
- Lighting: 2x2W LED

- Filter: Aluminium (Dishwasher Safe)
- Air Outlet: 120 mm
- Noise Level: min 55dB - max 66dB

- Airflow Capacity (DIN EN 61591): min 135 m³/h - max 300 m³/h
- Energy Class: D

> OPTIONAL FEATURES

- Carbon Filter Set
- Rustic Push Button
- 50 CM / 60 CM / 70 CM / 80 CM
- 2 Air Outlets (Back&Top)
- Glass Visor

- 280 m³/h - 110 Watt Motor (D class energy)
- 520 m³/h - 2x110 Watt Motor (D class energy)

> COLOR OPTIONS



Sotto Uno

5501

280

Free Flow Extraction

3

Speed

60

cm

110W

Motor Power

> MAIN FEATURES

- Installation: Under Cabinet
- Frontal Recirculation: Yes
- Control: Push Button
- Lighting: 1x2W LED

- Filter: Aluminium (Dishwasher Safe)
- Air Outlet: 120 mm
- Noise Level: min 53dB - max 62dB
- Airflow Capacity (DIN EN 61591): min

- 125 m³/h - max 240 m³/h
- Energy Class: D

> OPTIONAL FEATURES

- Carbon Filter Set
- Rustic Push Button
- 50 CM / 70 CM / 80 CM / 90 CM
- 2 Air Outlets (Back&Top)
- Glass Visor

- 450 m³/h - 2x90 Watt Motor (D class energy)
- 520 m³/h - 2x110 Watt Motor (D class energy)

> COLOR OPTIONS



Sotto Soft

5501 VR3

NEW

280

Free Flow Extraction

3

Speed

60

cm

110W

Motor Power

> MAIN FEATURES

- Installation: Under Cabinet
- Frontal Recirculation: Yes
- Control: Soft Touch
- Lighting: 1x2W LED

- Filter: Aluminium (Dishwasher Safe)
- Air Outlet: 120 mm
- Noise Level: min 53dB - max 62dB
- Airflow Capacity (DIN EN 61591): min

- 125 m³/h - max 240 m³/h
- Energy Class: D

> OPTIONAL FEATURES

- Carbon Filter Set
- 2X2W LED Spot
- 50 CM / 70 CM / 80 CM / 90 CM
- 2 Air Outlets (Back&Top)
- 450 m³/h - 2x90 Watt Motor

- (D class energy)
- 520 m³/h - 2x110 Watt Motor (D class energy)

> COLOR OPTIONS





Floppy

2500

NEW

250	3	60	100 W
Free Flow Extraction	Speed	cm	Motor Power

> MAIN FEATURES

- Installation : Under Cabinet
- Frontal Recirculation : Yes
- Control : Push Button
- Speed : 3
- Lighting : 1x1,5W Square LED
- Filter : Aluminium (Dishwasher Safe)
- Air Outlet : 120 mm
- Noise Level : min 62dB - max 69dB
- Airflow Capacity (DIN EN 61591) : min 140 m³/h - max 160 m³/h
- Energy Class: D

> OPTIONAL FEATURES

- Carbon Filter Set
- Glass Visor

> COLOR OPTIONS



Retto S

4500 DIGITAL

280	3	60	110W
Free Flow Extraction	Speed	cm	Motor Power

> MAIN FEATURES

- Installation: Under Cabinet
- Frontal Recirculation: Yes
- Control: Soft Touch with Display
- Lighting: 2x2W LED Spot
- Filter: Aluminium (Dishwasher Safe)
- Air Outlet: 120 mm
- Noise Level: min 53dB - max 62dB
- Airflow Capacity (DIN EN 61591): min 125 m³/h - max 240 m³/h
- Energy Class: D

> OPTIONAL FEATURES

- Carbon Filter Set
- Remote Control
- 90 CM
- 450 m³/h - 2x90 Watt Motor (D class energy)
- 520 m³/h - 2x110 Watt Motor (D class energy)

> COLOR OPTIONS



Countess

4500 CONT

NEW

400	3	60	110W
Free Flow Extraction	Speed	cm	Motor Power

> MAIN FEATURES

- Installation: Under Cabinet
- Control: Elecontra Touch
- Lighting: 2x2W LED Spot - DIMMER
- Filter: Aluminium (Dishwasher Safe)
- Air Outlet: 120 mm
- Noise Level: min 53dB - max 63dB
- Airflow Capacity (DIN EN 61591): min 125 m³/h - max 250 m³/h
- Energy Class: D

> OPTIONAL FEATURES

- Carbon Filter Set
- 90 CM

> COLOR OPTIONS





HD200 NEW

HD200

400

Free Flow Extraction

3

Speed

30

inc

110W

Motor Power

> MAIN FEATURES

- Installation: Under Cabinet
- Glass Visor: Yes
- Control: Touch
- Lighting: 2x2W LED Spot

- Filter: Aluminium (Dishwasher Safe)
- Air Outlet: 120 mm
- Noise Level: min 53dB - max 63dB
- Airflow Capacity (DIN EN 61591): min

- 125 m³/h - max 250 m³/h
- Energy Class: D

> OPTIONAL FEATURES

- Carbon Filter Set
- Remote Control
- 90 CM

> COLOR OPTIONS







Telescopic Hoods



Tiro 90

7062-90

450

Free Flow Extraction

3

Speed

90

cm

2 x 90 W

Motor Power

> MAIN FEATURES

- Installation: Built-in
- Control: Rocker Switch
- Lighting: 2x2W LED
- Filter: Aluminium (Dishwasher Safe)
- Air Outlet: 120 mm
- Noise Level: min 55dB - max 66dB
- Airflow Capacity (DIN EN 61591): min 135 m³/h - max 300 m³/h
- Energy Class: D

> OPTIONAL FEATURES

- Carbon Filter Set
- 50 CM / 60 CM
- 280 m³/h - 110 Watt Motor (D class energy)
- 520 m³/h - 2x110 Watt Motor (D class energy)

> COLOR OPTIONS



Black White Inox Inox Grey Beige Brown

Tactus S Grande

9064-03-90

550

Free Flow Extraction

3

Speed

90

cm

140 W

Motor Power



> MAIN FEATURES

- Installation: Built-in
- Control: Touch
- Lighting: 2x1W LED Spot
- Filter: Aluminium (Dishwasher Safe)
- Air Outlet: 150 mm
- Timer: 5 Mins
- Noise Level: min 55dB - max 65dB
- Airflow Capacity (DIN EN 61591): min 245 m³/h - max 455 m³/h
- Energy Class: D

> OPTIONAL FEATURES

- Carbon Filter Set
- Remote Control
- 50 CM / 60 CM
- 700 m³/h - 210 Watt Blower Motor (A class energy)
- 750 m³/h - 210 Watt Blower Motor (B class energy)
- 850 m³/h - 200 Watt Blower Motor (C class energy)

> COLOR OPTIONS



Black White Inox Inox Grey Beige Brown

Tiro

7062

450

Free Flow Extraction

3

Speed

60

cm

2 x 90 W

Motor Power



> MAIN FEATURES

- Installation: Built-in
- Control: Rocker Switch
- Lighting: 1x2W LED
- Filter: Aluminium (Dishwasher Safe)
- Air Outlet: 120 mm
- Noise Level: min 55dB - max 66dB
- Airflow Capacity (DIN EN 61591): min 135 m³/h - max 300 m³/h
- Motor: 2x90 Watt Shaded Pole
- Energy Class: D

> OPTIONAL FEATURES

- Carbon Filter Set
- 50 CM / 90 CM
- 2x2 Watt LED Spot
- 280 m³/h - 110 Watt Motor (D class energy)
- 520 m³/h - 2x110 Watt Motor (D class energy)

> COLOR OPTIONS



Black White Inox Inox Grey Beige Brown



Tiro Vetro

7062GL-BL

450

Free Flow Extraction

3

Speed

60

cm

2 x 90 W

Motor Power

> MAIN FEATURES

- Installation: Built-in
- Control: Rocker Switch
- Lighting: 1x2W LED
- Filter: Aluminium (Dishwasher Safe)
- Air Outlet: 120 mm
- Noise Level: min 55dB - max 66dB
- Airflow Capacity (DIN EN 61591): min 135 m³/h - max 300 m³/h

- Energy Class: D

> OPTIONAL FEATURES

- Carbon Filter Set
- 50 CM / 90 CM
- 2x2 Watt LED Spot
- 280 m³/h - 110 Watt Motor (D class energy)
- 520 m³/h - 2x110 Watt Motor (D class energy)

> COLOR OPTIONS



Tactus

6064

400

Free Flow Extraction

3

Speed

60

cm

110W

Motor Power

> MAIN FEATURES

- Installation: Built-in
- Control: Rocker Switch
- Lighting: 1x2W LED Linear
- Filter: Aluminium (Dishwasher Safe)
- Air Outlet: 120 mm
- Noise Level: min 53dB - max 63dB
- Airflow Capacity (DIN EN 61591): min 125 m³/h - max 280 m³/h

- Energy Class: D

> OPTIONAL FEATURES

- Carbon Filter Set
- 50 CM / 90 CM
- 2x2 Watt LED Spot
- 280 m³/h - 110 Watt Motor (D class energy)
- 520 m³/h - 2x110 Watt Motor (D class energy)

> COLOR OPTIONS



Tactus Forte

9074

850

Free Flow Extraction

3

Speed

60

cm

200 W

Motor Power

> MAIN FEATURES

- Installation: Built-in
- Control: Rocker Switch
- Lighting: 1x2W LED
- Filter: Aluminium (Dishwasher Safe)
- Air Outlet: 150 mm
- Noise Level: min 51dB - max 68dB
- Airflow Capacity (DIN EN 61591): min 250 m³/h - max 615 m³/h

- Energy Class: D

> OPTIONAL FEATURES

- Carbon Filter Set
- Rustic Handle
- 50 CM / 90 CM
- 2x2 Watt LED Spot
- 700 m³/h - 210 Watt Blower Motor (A class energy)
- 750 m³/h - 210 Watt Blower Motor (B class energy)

> COLOR OPTIONS





Tactus S

6064-03

400

Free Flow Extraction

3

Speed

60

cm

110W

Motor Power

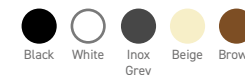
> MAIN FEATURES

- Installation: Built-in
- Control: Touch
- Lighting: 2x1W LED Spot
- Filter: Aluminium (Dishwasher Safe)
- Air Outlet: 120 mm
- Timer: 5 Mins
- Noise Level: min 53dB - max 63dB
- Airflow Capacity (DIN EN 61591): min 125 m³/h - max 280 m³/h
- Energy Class: D

> OPTIONAL FEATURES

- Carbon Filter Set
- Remote Control
- 50 CM / 90 CM

> COLOR OPTIONS



Tiro Rustico

7062RB

450

Free Flow Extraction

3

Speed

60

cm

2 x 90 W

Motor Power

> MAIN FEATURES

- Installation: Built-in
- Control: Rocker Switch
- Rustic Handle: Yes
- Lighting: 1x2W LED
- Filter: Aluminium (Dishwasher Safe)
- Air Outlet: 120 mm
- Noise Level: min 55dB - max 66dB
- Airflow Capacity (DIN EN 61591): min 135 m³/h - max 300 m³/h
- Energy Class: D

> OPTIONAL FEATURES

- Carbon Filter Set
- 50 CM / 90 CM
- 2x2 Watt LED Spot
- 280 m³/h - 110 Watt Motor (D class energy)
- 520 m³/h - 2x110 Watt Motor (D class energy)

> COLOR OPTIONS



> HANDLE PANEL COLOR OPTIONS



Ricircolo

7062 VR10 GLB

465

Free Flow Extraction

3

Speed

60

cm

2x110W

Motor Power

> MAIN FEATURES

- Installation : Built-in
- Control : Rocker Switch
- Lighting : 1x2W LED Linear
- Filter : Aluminium (Dishwasher Safe)
- Carbon Filter Set : Yes
- Noise Level : min 56dB - max 67dB
- Motor : 2x110 Watt Shaded Pole
- Energy Class: D

> OPTIONAL FEATURES

- 90 CM
- 2x2 Watt LED Spot

> COLOR OPTIONS







Central Exhaust Hoods



Senza

GC82 VC

> MAIN FEATURES

- Dimension: 82 CM
- Installation: Built-in
- Control: Mechanic

- Buttons: On/Off
- Lighting: 2x2W LED Spot
- Central Exhaust System: Yes

- Filter: Aluminium (Dishwasher Safe)
- Air Outlet: 120 mm

> ADAPTABLE MODELS:

- Built in: Comodo - GD52
- Pyramid: Farao - SD56
- Telescopic: Tactus - 6064
- Inclined: Gemini - LD47
- Island: Tergola Isola - LDI32

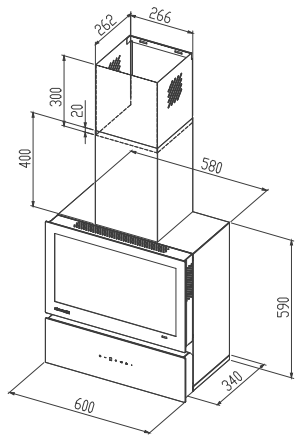
> OPTIONAL FEATURES

- 52 CM / 72 CM

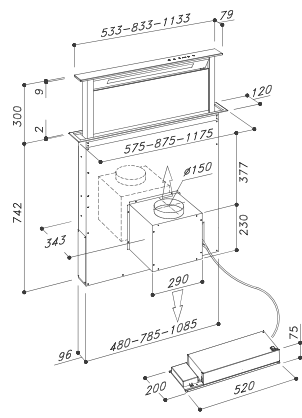
> COLOR OPTIONS



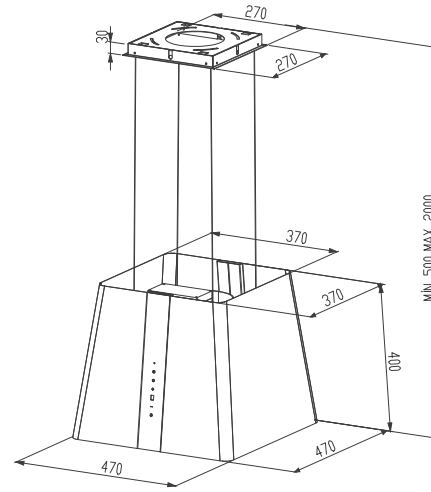




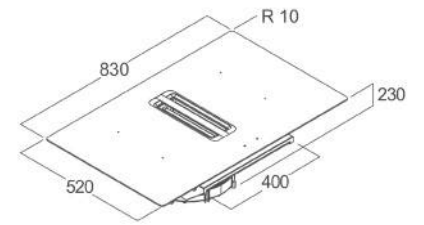
Smart TV Hood
LDI92



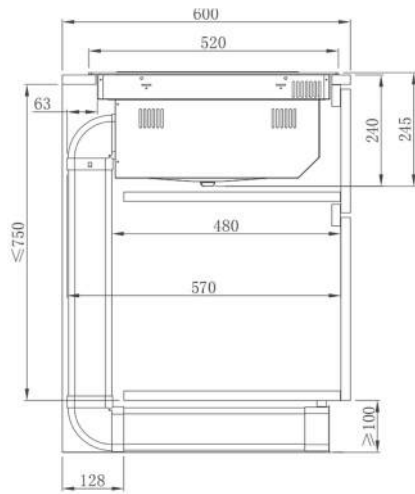
Sollevare
LH 111GX



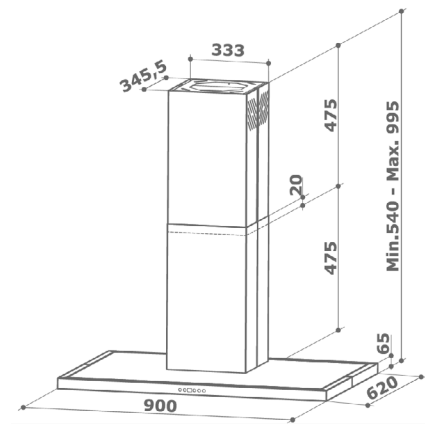
Lustre
LDI92



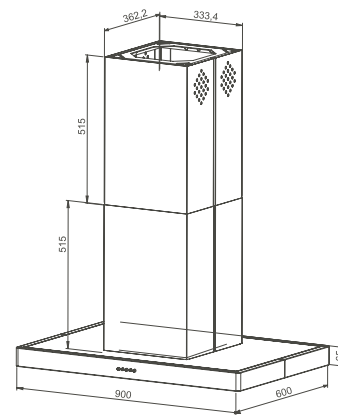
Balena
LHIC220GL



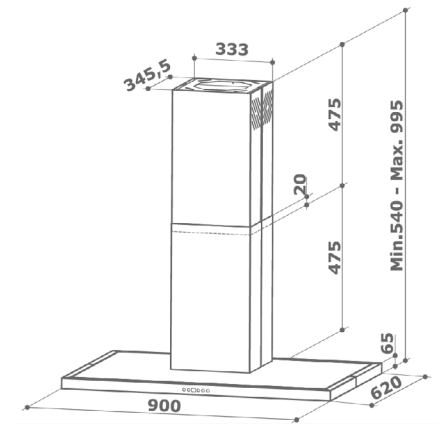
Ventosa
LHIC680X



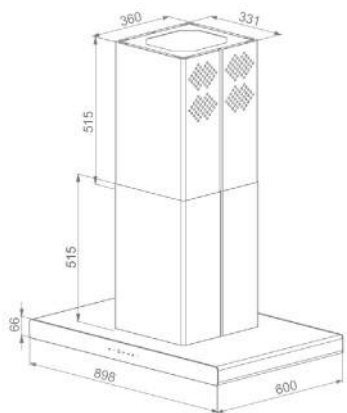
Sereno S Isola
LDI24 GL



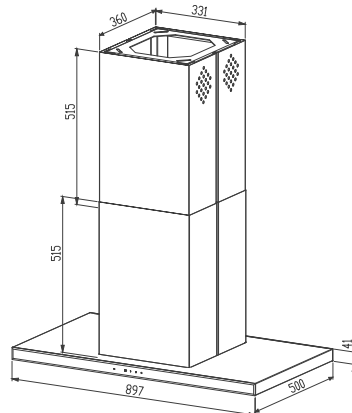
FormaT Isola
LDI35



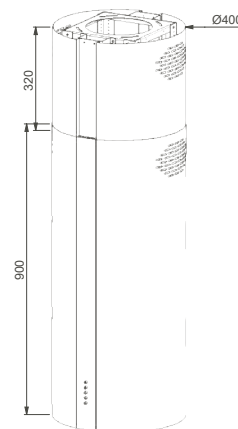
Sereno Isola
LDI24



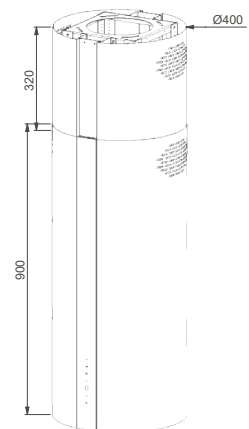
Piano S Isola
LDI96



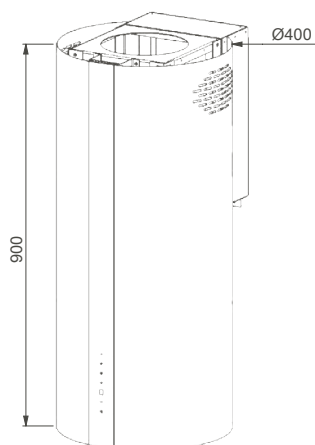
Tergola Isola
LDI32



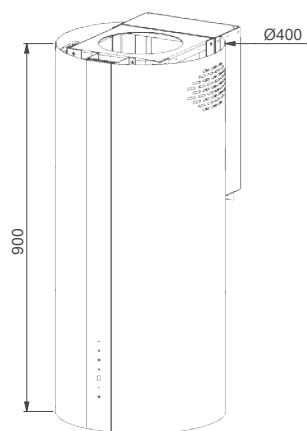
Rotolo Isola
LDI40 X GL



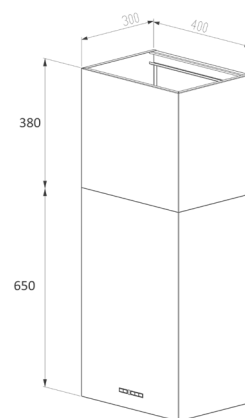
Rotolo S Isola
LDI40 GCDX-03



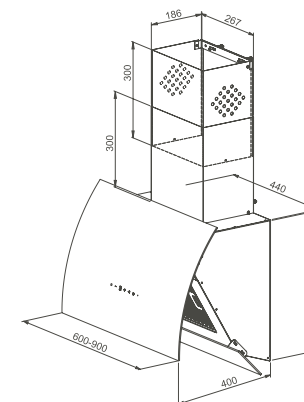
Rotolo
LD40 X



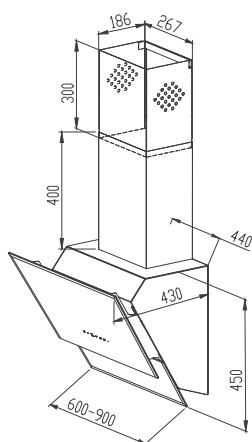
Rotolo S
LD40BRZX-03



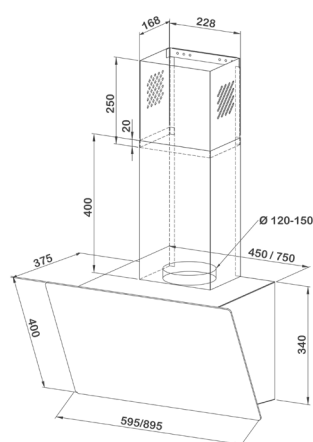
Column
LD61



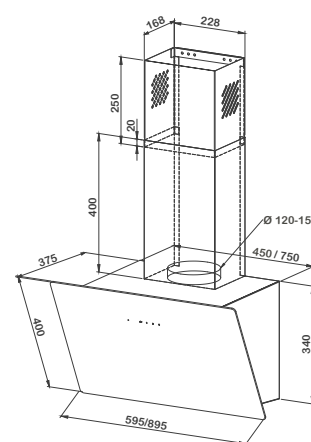
Automatic
LD99



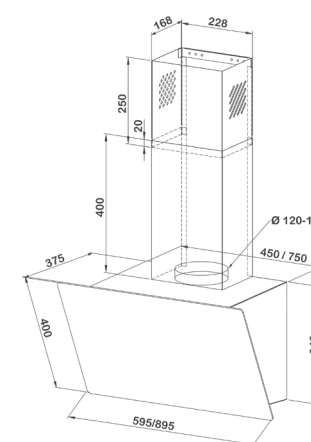
Morbido
LD75



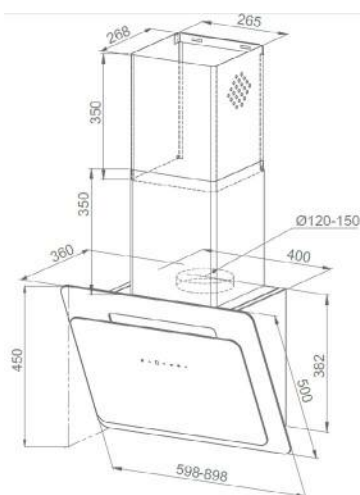
Nebula
LDI24 GL



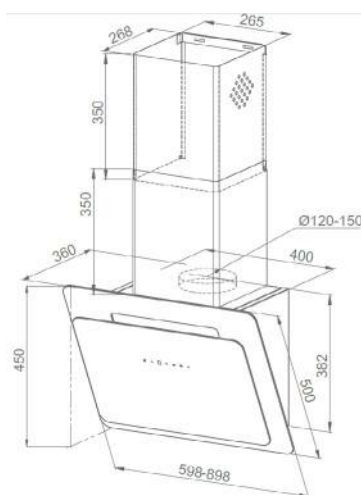
Singola
LD55CC



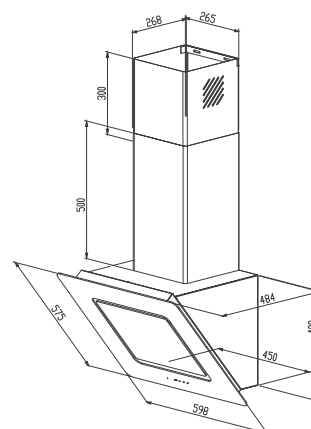
Singola Sub
LD55 VR2



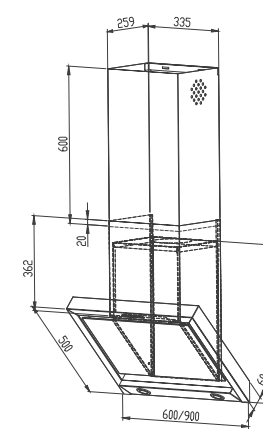
Vitrox
LD74



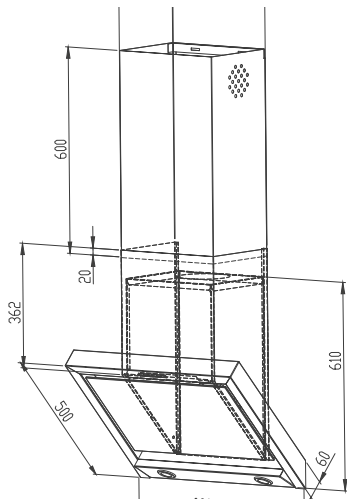
Strati
LD51



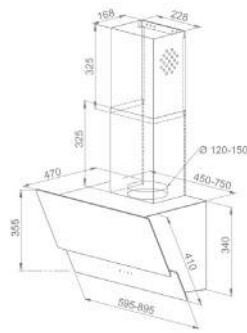
Galba
LD50CC



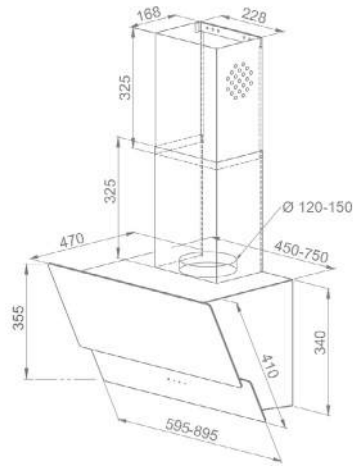
Luxo
LD48-X



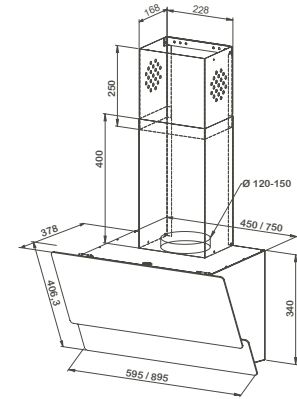
Luxo Vetro
LD48-GL



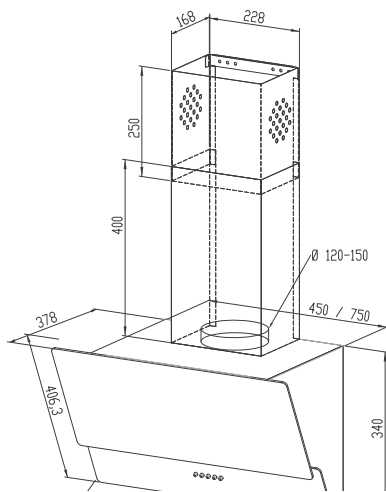
Gemini X
LD47CC-X



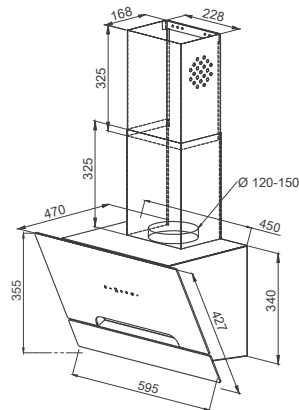
Gemini
LD47CC



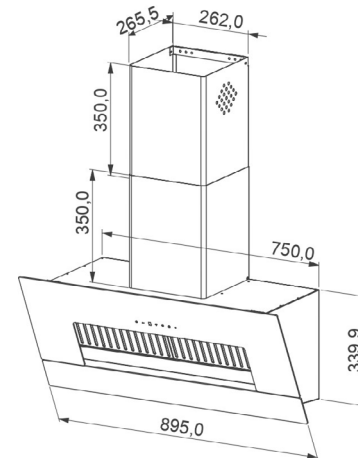
Gemini Sub
LD42BB



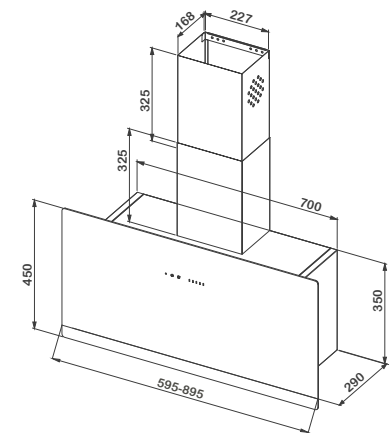
Gemini Mecca
LD46BB



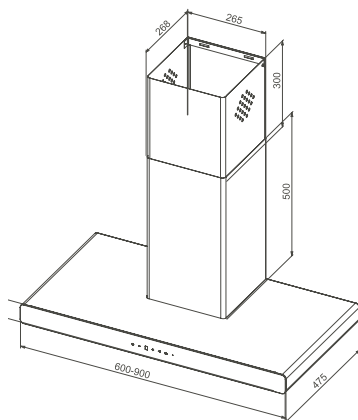
Ombelico
LD91



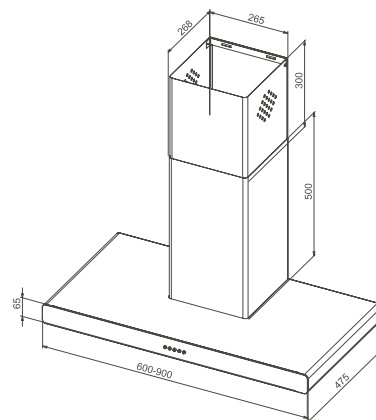
Helmet
LD101



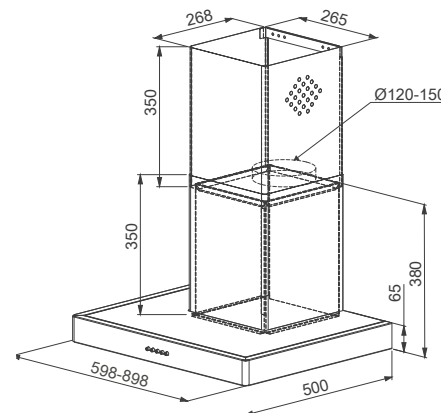
Piatto
LD100



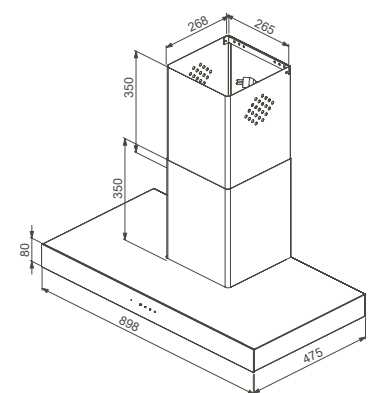
Piano S
LD96-90



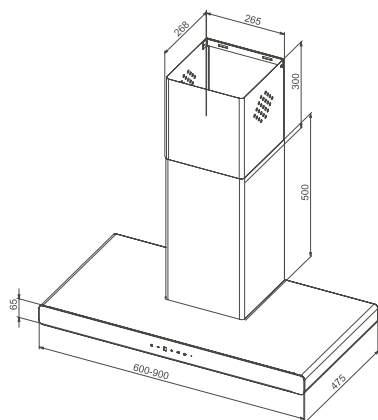
Piano
LD96PB



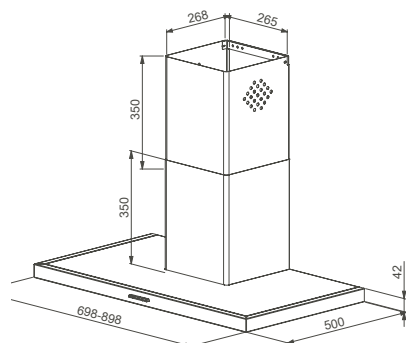
FormaT
LD35



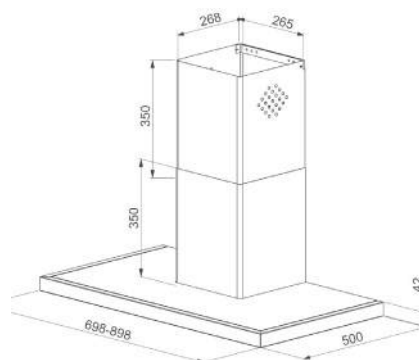
Onda
LD93B-90

**HD400**

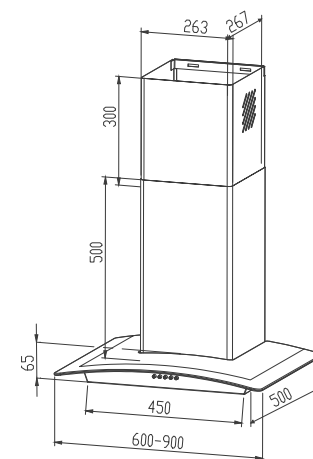
LD96-90 BF VR3

**Tergola**

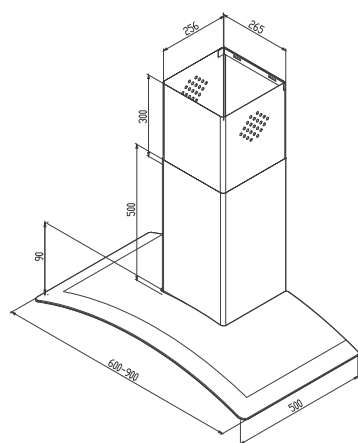
LD32-90

**Tergola S**

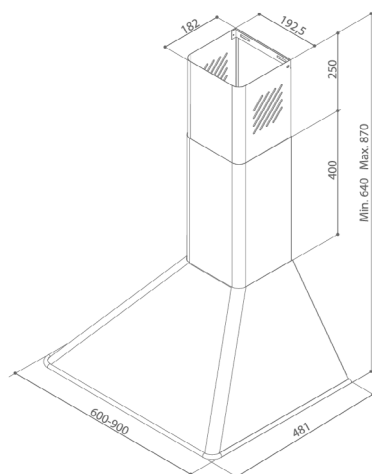
LD32-03-90

**Magu**

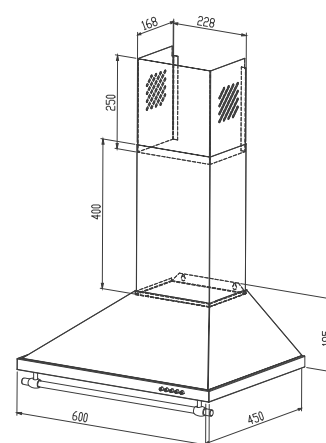
LD22PB-90

**Magu S**

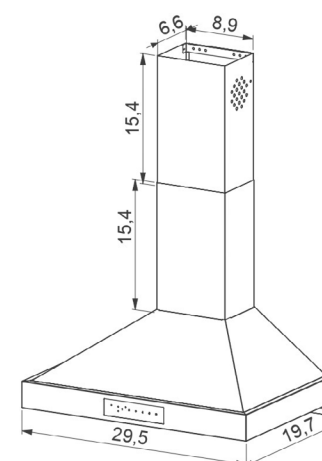
LD22-03B TOUCH

**Giro Rustico**

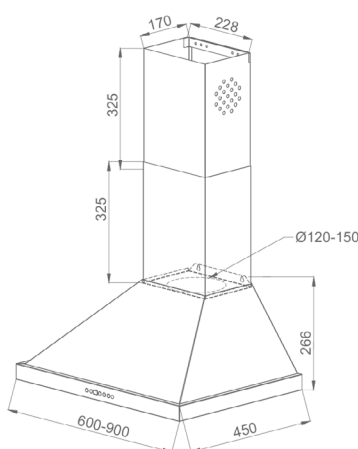
SD64 B ALU

**Manico Rustico**

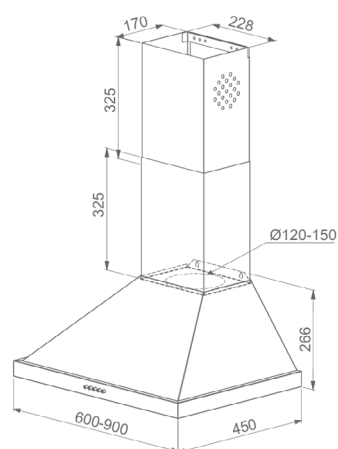
SD56 BGR

**HD300**

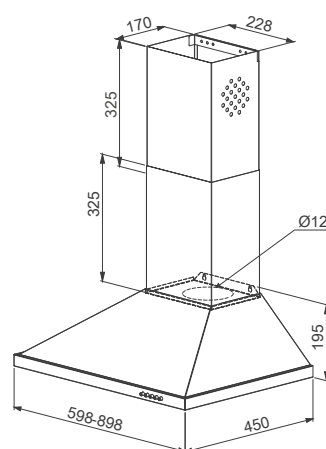
SD77

**Mollis**

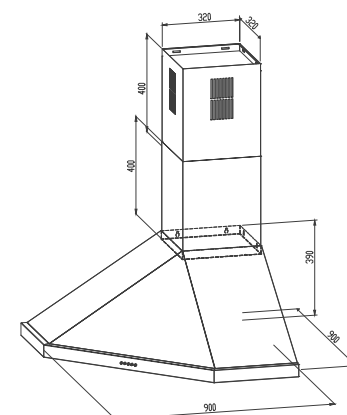
SD59

**Magnus**

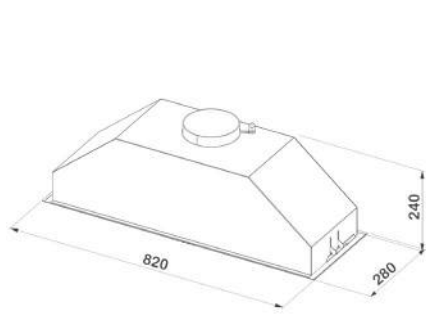
SD54

**Farao**

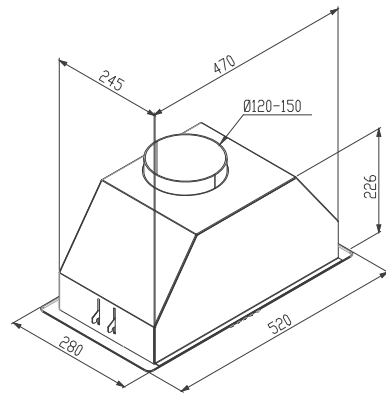
SD56-90

**Anguli**

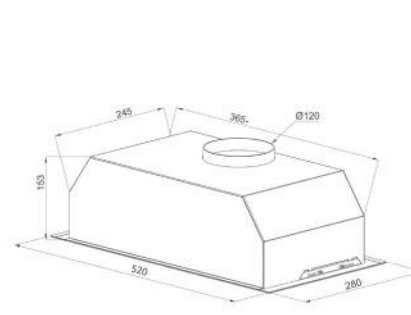
LD33



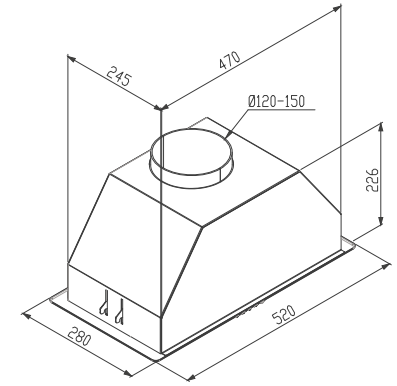
Comodo Plus
GD82



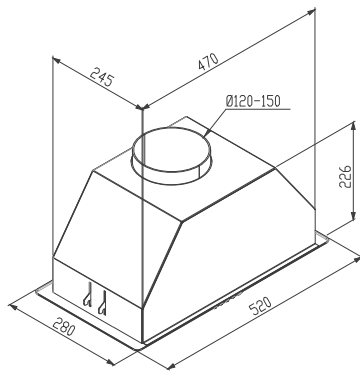
Comodo
GD52



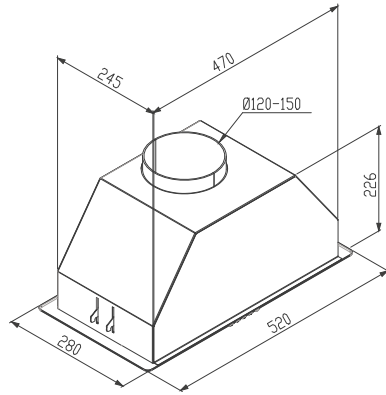
Omerta
GC52 VR5



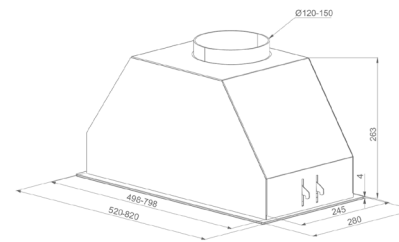
Comodo S
GD52 VR3 TOUCH



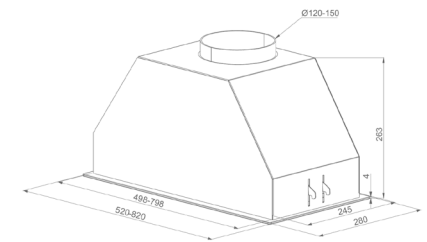
Omerta S
GD52 VR5 TOUCH



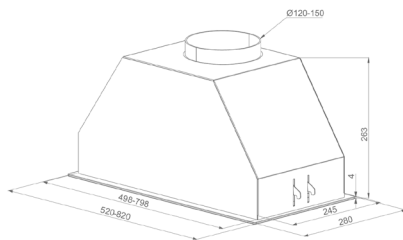
Omerta Pop Up
GC52 VR13



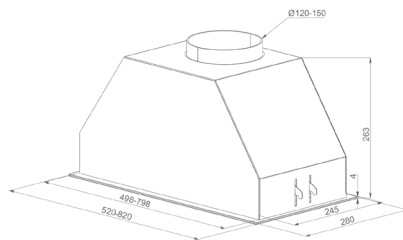
Nascosta Vetro
GLD52



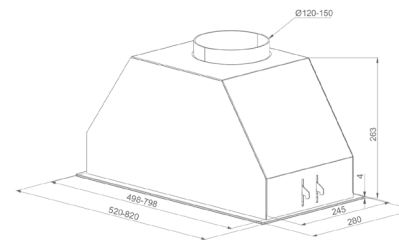
Nascosta Ore
GLD52 VR2



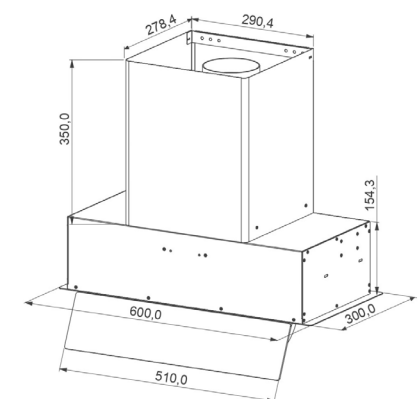
Nascosta Mesco
GLD52 VR3



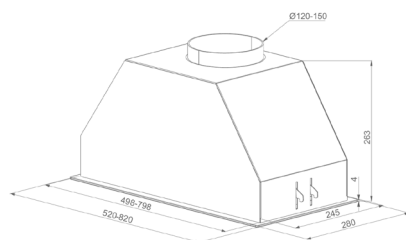
Nascosta Basilare
GLD52 VR4



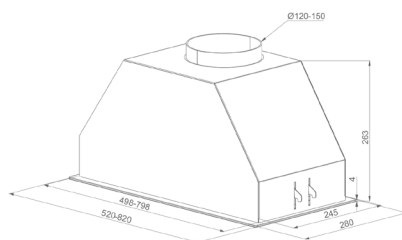
Lumin
GLD52 VR5



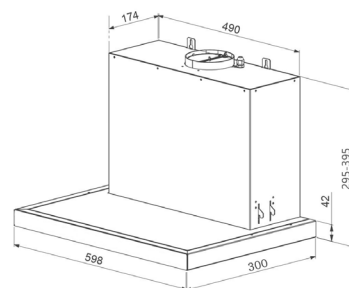
Tamare
GD11



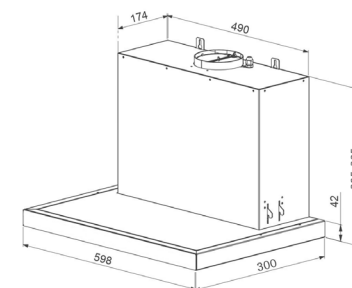
Nascosta Vetro Plus
GLD82



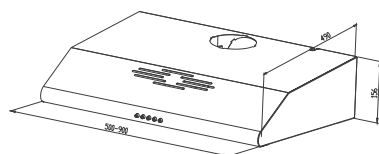
Nascosta Ore Plus
GLD82 VR2



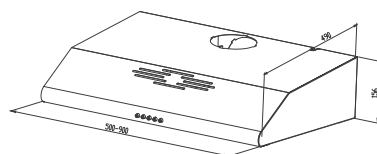
Xtra
LD30



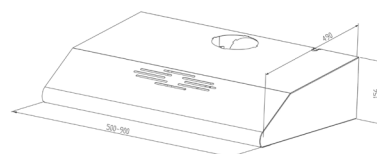
Xtra S
LD30-03



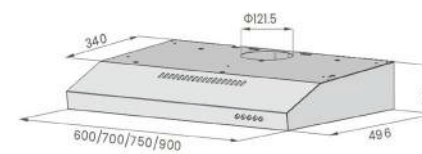
Sotto Doppio Vetro
5502X-90 GL



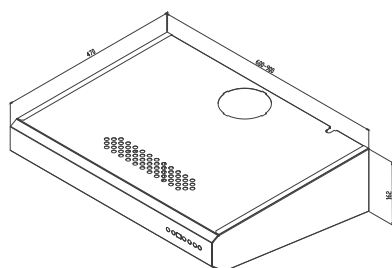
Sotto Uno
5501



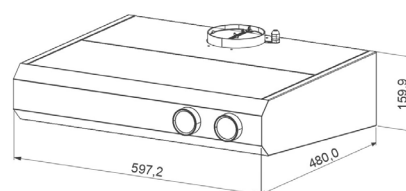
Sotto Soft
5501 VR3



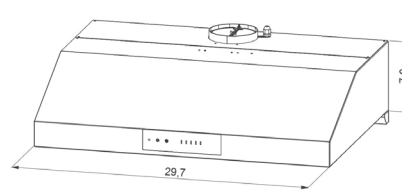
Floppy
2500



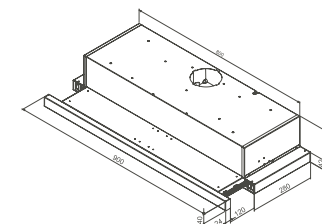
Retto S
4500 DIGITAL



Countess



HD200



Tiro 90
7062-90

Export Office & Showroom:

Göztepe Mah. Batışehir Cad. St.
Ofis K1 Blk. 2/1 B2 34218
Bağcılar / İstanbul - TURKEY

Factory:

Fatih Sultan Mehmet Cad. No:6/1
Esenyurt - İstanbul / TURKEY

T. +90 212 351 5849

F. +90 212 351 4830

www.proff.com.tr | www.hibsan.com.tr

HIBSAN

PROFF